

DIANWEI

Precision connector solution provider
精密连接器方案商

Since 2006



Gr202044003184



DZ/CN/2203008Q



IATF-16949:2016
0369723

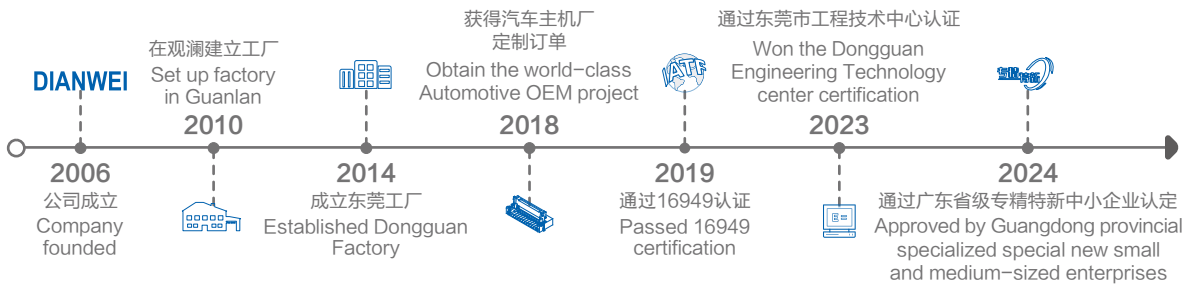


DZ/CN/2203008E

东莞市钿威电子科技有限公司

Dongguan Dianwei Electronic Technology Co.,Ltd

Dongguan factory 东莞工厂



About DIANWEI

2006年，钿威科技在深圳成立，为全球电子制造企业提供精密电子连接器、线缆组件产品和连接技术解决方案。

工厂位于东莞市塘厦镇，专业团队严格按ISO9001:2015、ISO14001:2015、IATF16949国际质量管理体系运作并大量引进全球先进设备，先后获得国家级高新技术企业、科技型中小企业、广东省专精特新中小企业、创新型中小企业、东莞市微小型精密连接器工程技术研究中心等荣誉称号。

我们自主研发生产的FFC/FPC电子连接器、Type-C连接器、板对板连接器、Fakra同轴射频连接器及线缆组件等产品，主要应用于：汽车电子、医疗电子、智能家电、消费电子、安防设备等领域，持续为海尔、小米、创维、小天才、美的、长江汽车电子、福耀等企业提供产品配套服务。

钿威科技始终坚持：客户至上、质量第一、信守承诺、共创未来！

Dianwei Technology was founded in 2006, offering precision connectors, cable&harness and connectivity technology solutions to our global clients global electronics manufacturers.

The factory is located in Tangxia Town, Dongguan City. Our professional team strictly operates in accordance with the international quality management systems of ISO9001:2015, ISO14001:2015, and IATF16949, and has incorporated numerous advanced equipment worldwide. Dianwei has successively won honors such as national high-tech enterprise, technology-based small and medium-sized enterprise, Guangdong Province specialized and innovative small and medium-sized enterprise, innovative small and medium-sized enterprise, and Dongguan Micro and Small Precision Connector Engineering Technology Research Center.

Our self-developed and produced FFC/FPC connectors, Type-C connectors, board to board connectors, Fakra coaxial RF connectors and cable/harness products are mainly used in the fields of automotive electronics, medical electronics, smart home appliances, consumer electronics, security equipment, etc. We sustainable offer our products and servicestp to our clients Haier, Xiaomi, Skyworth, Xiaotiancai, Midea, Changjiang, Fuyao, etc.

Dianwei Technology will always adheres to customer first, quality first, keeping promises, and creating the joint future with our clients!



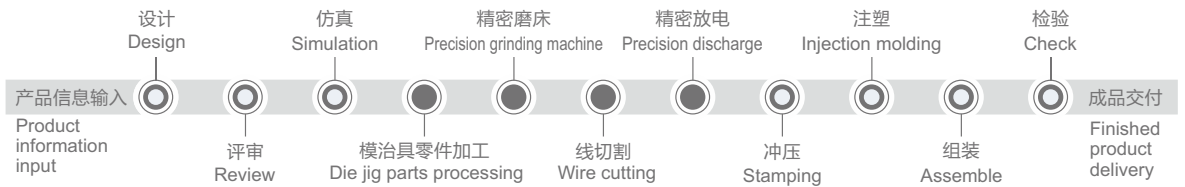
◎务实 Pragmatism ◎本分 Obligation ◎简单 Simpleness ◎拼搏 Struggle ◎创新 Innovation

About DIANWEI 走进钿威

■ 25-50T 高速冲床: 6台 25-50T High Speed Stamping Machine: 6sets

■ 30-100T 注塑机: 16台 30-100T Injection Machine: 16sets

■ 钿威自制自动机台: 60台 DIANWEI self-made automatic machine: 60sets



追求卓越技术 || 保证优良品质 || 满足客户需求 Pursue superior technology, Maintain good quality, Meet customer needs

■ 钿威自建产品实验室: 200m², 专业测量及测试设备25台/套, 可覆盖产品的盐雾、电性、结构、化学性能及冷热冲击试验。
 Dianwei's self-built product laboratory: Occupying 200m, it is equipped with 25 units/sets of professional measurement and testing equipment, capable of covering salt spray, electrical, structural, chemical property tests, and thermal shock testing for products.

外观&化学性能测试 Appearance Performance Test	电气性能测试 Electrical Performance Test	环境性能测试 Environmental Performance Test	机械物理性能测试 Mechanical and Physical Performance Test
2.5次元+三菱镜 2.5D Measuring	瞬间断路测试仪 Instantaneous Circuit Breaker Tester	盐雾机 Salt Spray Machine	磨抛机 Polish Machine
能量色散X荧光光谱仪 Energy Dispersive X-ray Fluorescence	线材综合测试仪 Wire Comprehensive Tester	车规级温湿度循环实验箱 Temperature&Humidity Cycling Chamber	车规级冲击试验台 Shock Testing Machine
液相色谱仪 Liquid Chromatography	升温仪 Temp Rise Tester	车规级冷热冲击箱 Cold&Heat Shock Box	车规级振动试验台 Vibration Tester
⋮	⋮	⋮	⋮



Dongguan Engineering&Technology Research Center of Micro&Precision Connector

Canton Innovative Small&Medium Enterprise

National High-Tech Enterprise

Canton Specialized and Sophisticated Small&Medium Enterprise

National Science&Technology Small&Medium Enterprise

■ 发明专利 / Patent for invention: 10件 ■ 实用新型 / Utility Patent: 20件



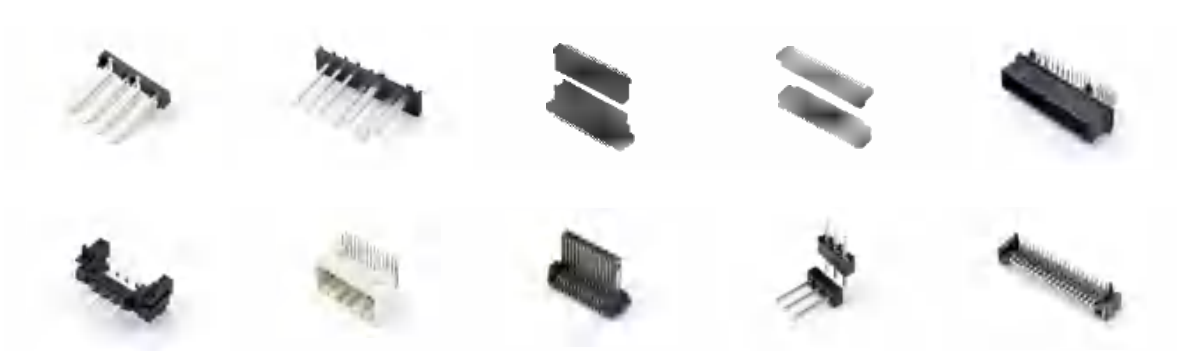
加入的社团及组织

- ◎ 广东省连接器协会
- ◎ 深圳市电子商会
- ◎ 广东省智能终端产业研究院
- ◎ 深圳市连接器协会
- ◎ 深圳市汽车电子协会
- ◎ 深圳市平板显示行业协会
- ◎ 深圳市电子行业协会
- ◎ 东莞市电子行业协会
- ◎ 深圳市商用显示系统产业促进会

客户定制产品 OEM/JDM Projects >

我们提供从五金塑胶模具的设计与开发、模具零件加工；产品研发、测试、验证、自动化生产及交付的全过程服务。

Dianwei offer comprehensive services from metal&plastic tooling design、tooling components manufacturing；the product R&D、test、verification、automatic manufacturing to delivery.



我们的合作伙伴 Our Clients



※ 本目录所有展示及提及商标皆为铢威客户所有，排名不分先后。
 All the trademarks listed in this catalogue are the properties of Dianwei's Clients, Listed without particular order.
 DIANWEI商标系马德里体系下注册 The 'DIANWEI' trademark was registered under the Madrid system.
 期待与您合作 Looking forward to working with you!

产品应用——消费电子

Product application——Consumer electronics

智能音箱
Intelligent Speaker
人工智能扬声器/麦克风/按钮连接
AI Speaker/Microphone
Button Connection

云台相机
P&T Camera
显示屏
Display screen

手机平板电脑
Mobile/Tablet PC
LCD连接 & 触摸屏连接
LCD Connection
Touch Panel Connection

智能穿戴
Smart Wearable Devices
智能手表LCD & 触摸屏连接
Smart watch LCD
Touch screen connection



产品应用——汽车电子

Product application——Automotive electronics

智能驾驶域
Smart Driving
FPC类

智能网联域
Intelligence Network Cabs
FAKRA类

智能座舱域
Smart Cabs
FPC类



产品应用——医疗电子

Product application——Medical electronics

高压注射器
Series High Pressure Injector
FPC/FCC连接器



心电监测仪
ECG monitor
FPC/FCC连接器



加温喉镜
Heating laryngoscope
FPC/FCC连接器



输液泵
Infusion Pump
FPC/FCC连接器



产品应用——智能家居

Product application——Smart home

洗衣机
Washing Machine
电脑控制板
Control Board



热水器
Water Heater
FPC/FCC



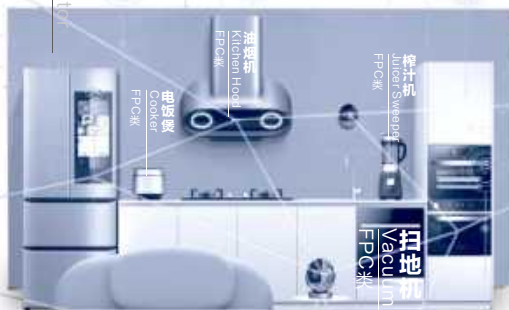
榨汁机
Juicer/Sweeper
FPC/FCC



油烟机
Kitchen Hood
FPC/FCC

电饭煲
Cooker
FPC/FCC

电冰箱
Refrigerator
FPC/FCC



智慧屏
Smart Display
FPC/FCC

智能门锁
Smart Lock
FPC/FCC

触摸/指纹连接
Touch/fingerprint connection



FFC/FPC 电子连接器系列 / FFC/FPC Connector Series

8.03A0 后锁上下接触型/Rear Flip Lock, Pitch0.3mm, H=0.9mm-----	01
8.07A0 后锁上下接触型/Rear Flip Lock, Pitch0.5mm, H=1.0mm-----	02
8.02A0 后锁上下接触型/Rear Flip Lock, Pitch0.5mm, H=1.2mm-----	03
8.18A0 后锁上下接触型/Rear Flip Lock, Pitch0.5mm, H=1.2mm-----	04
8.21A0 后锁上下接触型/Rear Flip Lock, Pitch0.5mm, H=1.2mm-----	05
8.22A0 后锁上下接触型/Rear Flip Lock, Pitch0.5mm, H=1.2mm-----	06
8.01A0 后锁上下接触型/Rear Flip Lock, Pitch0.5mm, H=2.0mm-----	07
8.19A0 后锁上下接触型/Rear Flip Lock, Pitch0.5mm, H=2.0mm-----	08
8.04A0 后锁上下接触型/Rear Flip Lock, Pitch1.0mm, H=2.0mm-----	09
8.26A0 掀盖前锁下接触型/Front Flip Lock, Pitch0.3mm, H=1.1mm-----	10
8.15A0 掀盖前锁下接触型/Front Flip Lock, Pitch0.5mm, H=1.8mm-----	11
8.20A0 掀盖前锁下接触型/Front Flip Lock, Pitch0.5mm, H=1.8mm-----	12
8.25A0 掀盖前锁下接触型/Front Flip Lock, Pitch1.0mm, H=1.8mm-----	13
8.59A0 掀盖前锁下接触型, 带接地片/Front Flip Lock, Pitch0.5mm, H=1.8mm-----	14
8.68A0 掀盖前锁下接触型/Front Flip, Rear Lock, Pitch0.4mm, H=2.25mm-----	15
8.58A0 掀盖前锁下接触型/Front Flip, Rear Lock, Pitch0.5mm, H=2.55mm-----	16
8.35A0 掀盖前锁下接触型, 沉板式/Front Flip, Rear Lock, Pitch0.5mm, H=4.35mm-----	17
8.36A0 掀盖后锁下接触型, 沉板式/Front Flip, Rear Lock, Pitch1.0mm, H=4.35mm-----	18
8.13A0 卧式下接触型/Horizontal, Pitch0.5mm, H=2.0mm-----	19
8.23A0 卧式上接触型/Horizontal, Pitch0.5mm, H=2.0mm-----	20
8.12A0 立式单面接触型/Vertical, Pitch0.5mm, H=4.6mm-----	21

Fakra连接器及线束系列 / Fakra Connector Series

7.03A1 立式板端公头/Vertical (Male) Connector-----	22
7.03A0 沉板式板端公头/Mid-Mount (Male) Connector-----	23
7.03A2 卧式板端公头/Horizontal (Male) Connector-----	24
7.03AD 沉板式板端公头(90°)/Mid-Mount (Male) Connector-----	25
7.03AG 卧式板端公头(90°)/Horizontal (Male) Connector-----	26
7.03A3 非防水线公连接器及线束/Non-Waterproof (Male) H&C-----	27
7.03A4 非防水线母连接器及线束/Non-Waterproof (Female) H&C-----	28
7.03A7 防水线公连接器及线束/Waterproof (Male) H&C-----	29
7.03A8 防水线母连接器及线束/Waterproof (Female) H&C-----	30
7.03A9 非防水线公(冲压件)/Non-Waterproof (Male) H&C-----	31
7.03A5 非防水线母(冲压件)/Non-Waterproof (Female) H&C-----	32
7.03AE 防水线母(带卡扣)/WP (Female) H&C with Fastener-----	33
7.03AF 非防水线母(带卡扣)/Non-WP (Female) H&C with Fastener-----	34

Type-C连接器系列 / Type-C Connector Series

2.01AX 单排板上型(无弹片)/Single Row, SMT, 16Pin-----	35
2.02A0 单排板上型(带弹片)/Single Row, SMT, 16Pin-----	36
2.30A0 双排板上型(无弹片)/Dual Row, SMT, 24Pin-----	37
2.31A0 双排板上型(带弹片)/Dual Row, Dip+SMT, 24Pin-----	38

弹片连接器系列 / Spring Clips Connector Series

9.01A0 高度1.2mm镀金弹片/1.2H Spring Clips-----	39
9.02A0 高度1.0mm镀金弹片/1.0H Spring Clips-----	40

◎ 主要技术参数 Main technical parameters

使用温度 Operating Temperature: -40 ~ +85°C
 额定电压 Rating Voltage: 30V(AC/DC)
 额定电流 Rating Current: 0.2A/PIN
 接触阻抗 Contact Resistance: 100mΩ Max
 绝缘阻抗 Insulation Resistance: 50MΩ Min
 插拔耐久性 Durability: 20 Times/Min

◎ 材料 Material

主体 Housing: LCP Natural UL94V-0
 锁扣 Cover: PA/PPS Black UL94V-0
 端子 Terminal: Copper Alloy Plating: Au
 定位片 Stator: Copper Alloy Plating: Tin
 触点类型 Contact Type: Double Contact



◎ 注: 未插入FFC/FPC排线时禁止下压锁扣

Note: Do not close connector without FPC/FFC

◎ 环保标准 Environmental protection standard:

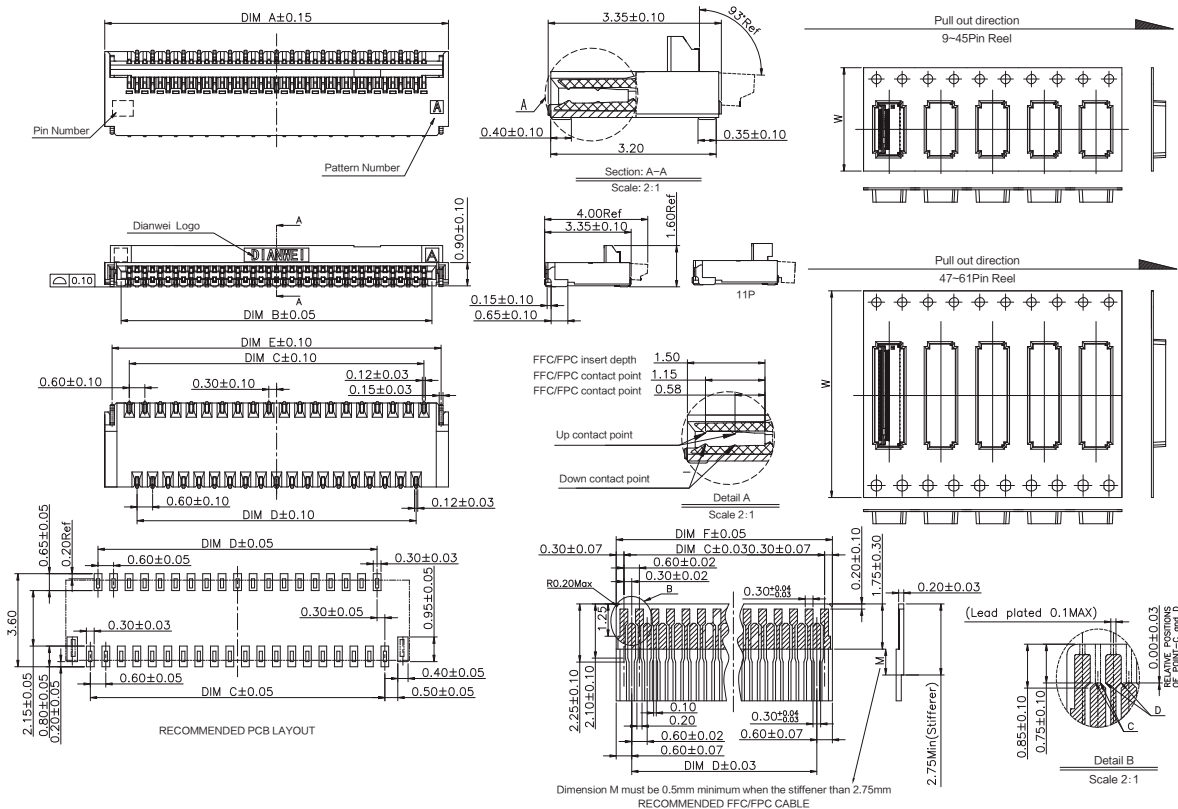
符合欧盟 RoHS REACH 标准 Comply with the EU RoHS, REACH

Pin 数 Pin Number	定购料号 Part Number	DIM A	DIM B	DIM C	DIM D	DIM E	DIM F
9	8.03A0.009200	4.30	3.03	2.40	1.80	3.73	3.00
11	8.03A0.011200	4.90	3.63	3.00	2.40	4.33	3.60
13	8.03A0.013200	5.50	4.23	3.60	3.00	4.93	4.20
15	8.03A0.015200	6.10	4.83	4.20	3.60	5.53	4.80
17	8.03A0.017200	6.70	5.43	4.80	4.20	6.13	5.40
19	8.03A0.019200	7.30	6.03	5.40	4.80	6.73	6.00
21	8.03A0.021200	7.90	6.63	6.00	5.40	7.33	6.60
23	8.03A0.023200	8.50	7.23	6.60	6.00	7.93	7.20
25	8.03A0.025200	9.10	7.83	7.20	6.60	8.53	7.80
27	8.03A0.027200	9.70	8.43	7.80	7.20	9.13	8.40

Pin 数 Pin Number	定购料号 Part Number	DIM A	DIM B	DIM C	DIM D	DIM E	DIM F
31	8.03A0.031200	10.90	9.63	9.00	8.40	10.33	9.60
33	8.03A0.033200	11.50	10.23	9.60	9.00	10.93	10.20
35	8.03A0.035200	12.10	10.83	10.20	9.60	11.53	10.80
39	8.03A0.039200	13.30	12.03	11.40	10.80	12.73	12.00
41	8.03A0.041200	13.90	12.63	12.00	11.40	13.33	12.60
45	8.03A0.045200	15.10	13.83	13.20	12.60	14.53	13.80
51	8.03A0.051200	16.90	15.63	15.00	14.40	16.33	15.60
57	8.03A0.057200	18.70	17.43	16.80	16.20	18.13	17.40
61	8.03A0.061200	19.90	18.63	18.00	17.40	19.33	18.60

NO. OF POS.	DIM W	PCS/REEL
9-19 PIN	16.0	3000
21-45 PIN	24.0	3000
47-61 PIN	32.0	3000

Units: mm



0.5mm 间距双面接触后锁式FFC/FPC 连接器(H=1.0mm) Pitch 0.5mm, Dual Contact, Rear Flip FFC/FPC Connector(H=1.0mm)

商品系列号 : **8.07A0**
Product Series Number

主要技术参数 Main technical parameters

使用温度 Operating Temperature: -40 ~ +85°C
 额定电压 Rating Voltage: 50V(AC/DC)
 额定电流 Rating Current: 0.5A/PIN
 接触阻抗 Contact Resistance: 100mΩ Max
 绝缘阻抗 Insulation Resistance: 500MΩ Min
 插拔耐久性 Durability: 20 Times/Min

材料 Material

主体 Housing: LCP Natural UL94V-0
 锁扣 Cover: LCP Black UL94V-0
 端子 Terminal: Copper Alloy Plating: Au
 定位片 Stator: Copper Alloy Plating: Tin
 触点类型 Contact Type: Double Contact



注: 未插入FFC/FPC排线时禁止下压锁扣

Note: Do not close connector without FPC/FFC

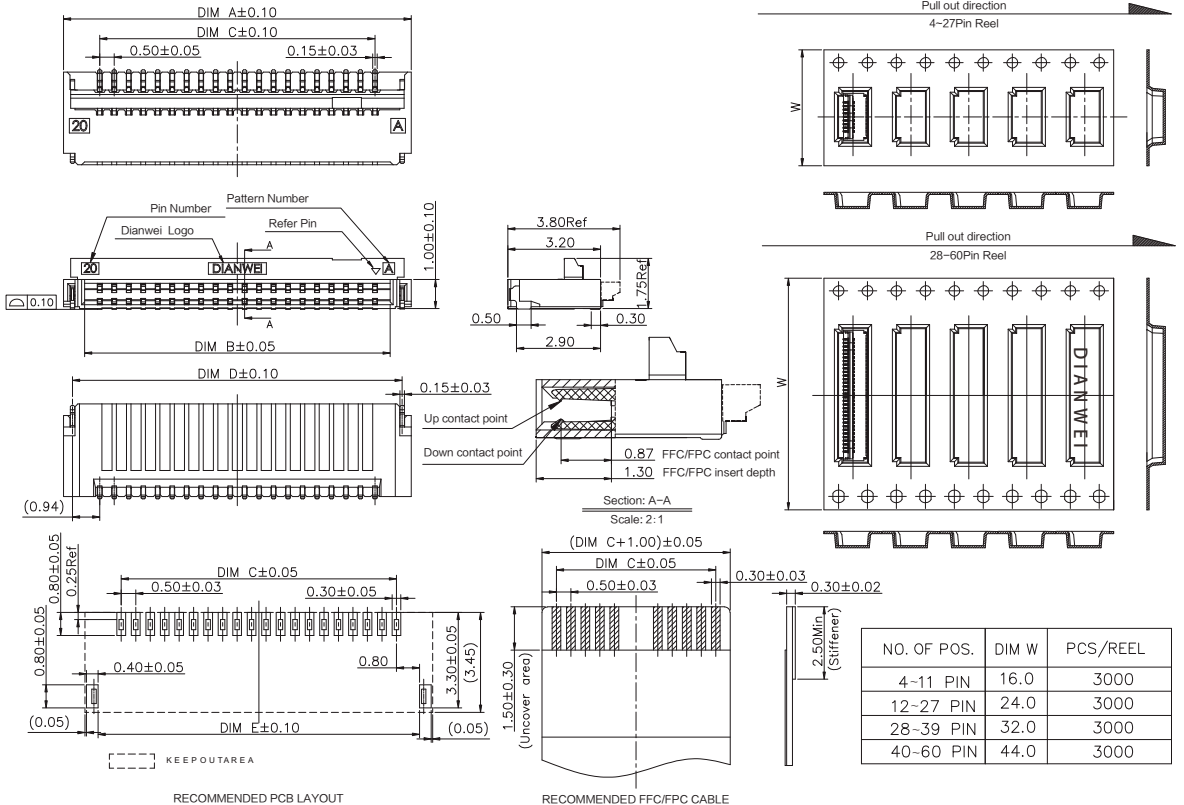
环保标准 Environmental protection standard:

符合欧盟 RoHS REACH 标准 Comply with the EU RoHS, REACH

Pin 数 Pin Number	定购料号 Part Number	DIM A	DIM B	DIM C	DIM D	DIM E
4	8.07A0.004200	4.00	2.55	1.50	3.38	3.10
6	8.07A0.006200	5.00	3.55	2.50	4.38	4.10
8	8.07A0.008200	6.00	4.55	3.50	5.38	5.10
9	8.07A0.009200	6.50	5.05	4.00	5.88	5.60
10	8.07A0.010200	7.00	5.55	4.50	6.38	6.10
12	8.07A0.012200	8.00	6.55	5.50	7.38	7.10
14	8.07A0.014200	9.00	7.55	6.50	8.38	8.10
16	8.07A0.016200	10.00	8.55	7.50	9.38	9.10
18	8.07A0.018200	11.00	9.55	8.50	10.38	10.10

Pin 数 Pin Number	定购料号 Part Number	DIM A	DIM B	DIM C	DIM D	DIM E
20	8.07A0.020200	12.00	10.55	9.50	11.38	11.10
22	8.07A0.022200	13.00	11.55	10.50	12.38	12.10
24	8.07A0.024200	14.00	12.55	11.50	13.38	13.10
26	8.07A0.026200	15.00	13.55	12.50	14.38	14.10
30	8.07A0.030200	17.00	15.55	14.50	16.38	16.10
34	8.07A0.034200	19.00	17.55	16.50	18.38	18.10
40	8.07A0.040200	22.00	20.55	19.50	21.38	21.10
42	8.07A0.042200	23.00	21.55	20.50	22.38	22.10
50	8.07A0.050200	27.00	25.55	24.50	26.38	26.10

Units: mm



◎ 主要技术参数 Main technical parameters

使用温度 Operating Temperature: -40 ~ +85°C
 额定电压 Rating Voltage: 50V(AC/DC)
 额定电流 Rating Current: 0.5A/PIN
 接触阻抗 Contact Resistance: 50mΩ Max
 绝缘阻抗 Insulation Resistance: 500MΩ Min
 插拔耐久性 Durability: 20 Times/Min

◎ 材料 Material

主体 Housing: LCP Natural UL94V-0
 锁扣 Cover: LCP Black UL94V-0
 端子 Terminal: Copper Alloy Plating: Au
 定位片 Stator: Copper Alloy Plating: Tin
 触点类型 Contact Type: Double Contact



◎ 注: 未插入FFC/FPC排线时禁止下压锁扣

Note: Do not close connector without FPC/FFC

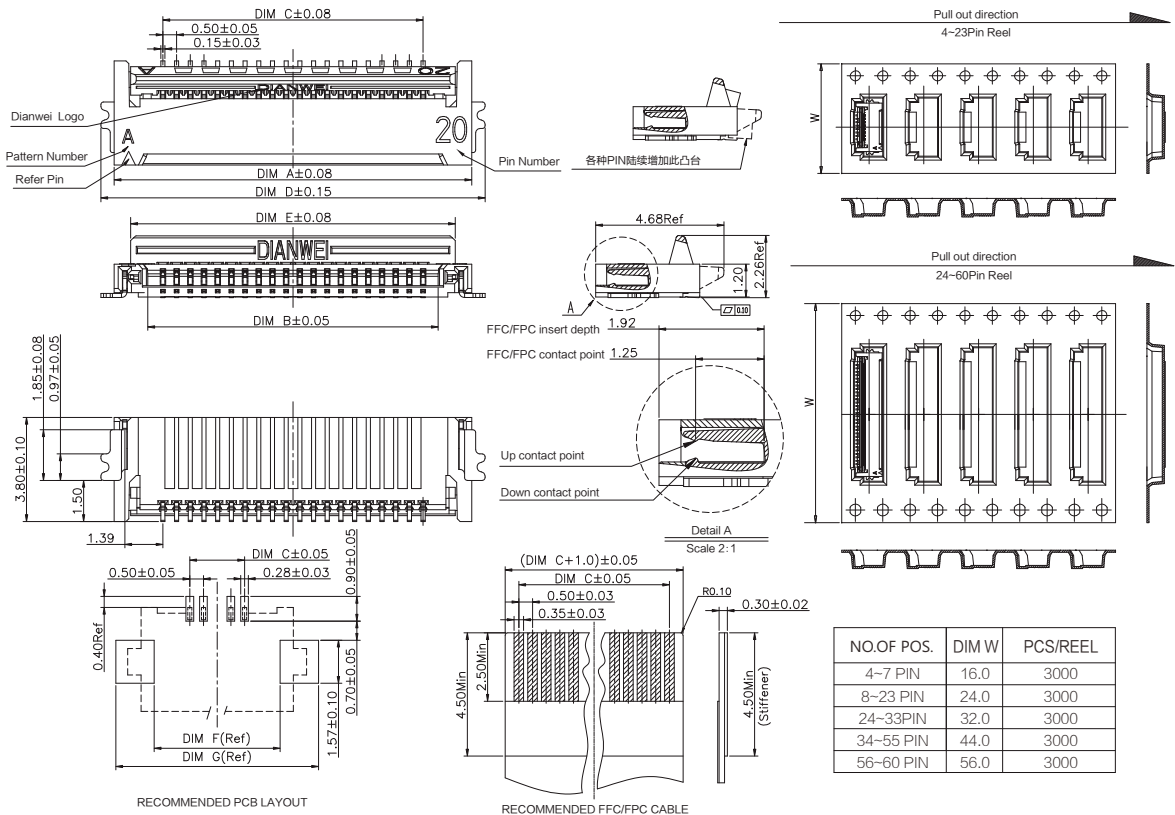
◎ 环保标准 Environmental protection standard:

符合欧盟 RoHS REACH 标准 Comply with the EU RoHS, REACH

Pin 数 Pin Number	订购料号 Part Number	DIM A	DIM B	DIM C	DIM D	DIM E	DIM F	DIM G
4	8.02A0.004200	5.06	2.55	1.50	6.00	3.85	4.10	6.90
5	8.02A0.005200	5.56	3.05	2.00	6.50	4.35	4.60	7.40
6	8.02A0.006200	6.06	3.55	2.50	7.00	4.85	5.10	7.90
7	8.02A0.007200	6.56	4.05	3.00	7.50	5.35	5.60	8.40
8	8.02A0.008200	7.06	4.55	3.50	8.00	5.85	6.10	8.90
10	8.02A0.010200	8.06	5.55	4.50	9.00	6.85	7.10	9.90
12	8.02A0.012200	9.06	6.55	5.50	10.00	7.85	8.10	10.90
14	8.02A0.014200	10.06	7.55	6.50	11.00	8.85	9.10	11.90
15	8.02A0.015200	10.56	8.05	7.00	11.50	9.35	9.60	12.40
16	8.02A0.016200	11.06	8.55	7.50	12.00	9.85	10.10	12.90
20	8.02A0.020200	13.06	10.55	9.50	14.00	11.85	12.10	14.90
24	8.02A0.024200	15.06	12.55	11.50	16.00	13.85	14.10	16.90
28	8.02A0.028200	17.06	14.55	13.50	18.00	15.85	16.10	18.90
30	8.02A0.030200	18.06	15.55	14.50	19.00	16.85	17.10	19.90

Pin 数 Pin Number	订购料号 Part Number	DIM A	DIM B	DIM C	DIM D	DIM E	DIM F	DIM G
32	8.02A0.032200	19.06	16.55	15.50	20.00	17.85	18.10	20.90
34	8.02A0.034200	20.06	17.55	16.50	21.00	18.85	19.10	21.90
35	8.02A0.035200	20.56	18.05	17.00	21.50	19.35	19.60	22.40
36	8.02A0.036200	21.06	18.55	17.50	22.00	19.85	20.10	22.90
40	8.02A0.040200	23.06	20.55	19.50	24.00	21.85	22.10	24.90
45	8.02A0.045200	25.56	23.05	22.00	26.50	24.35	24.60	27.40
50	8.02A0.050200	28.06	25.55	24.50	29.00	26.85	27.10	29.90
52	8.02A0.052200	29.06	26.55	25.50	30.00	27.85	28.10	30.90
56	8.02A0.056200	31.06	28.55	27.50	32.00	29.85	30.10	32.90
60	8.02A0.060200	33.06	30.55	29.50	34.00	31.85	32.10	34.90

Units: mm



0.5mm 间距双面接触后锁式FFC/FPC 连接器(H=1.2mm) Pitch 0.5mm, Dual Contact, Rear Flip FFC/FPC Connector(H=1.2mm)

商品系列号 : **8.18A0**
Product Series Number

主要技术参数 Main technical parameters

使用温度 Operating Temperature: -40 ~ +85°C
 额定电压 Rating Voltage: 50V(AC/DC)
 额定电流 Rating Current: 0.5A/PIN
 接触阻抗 Contact Resistance: 50mΩ Max
 绝缘阻抗 Insulation Resistance: 500MΩ Min
 插拔耐久性 Durability: 20 Times/Min

材料 Material

主体 Housing: LCP Natural UL94V-0
 锁扣 Cover: LCP Black UL94V-0
 端子 Terminal: Copper Alloy Plating: Au
 定位片 Stator: Copper Alloy Plating: Tin
 触点类型 Contact Type: Double Contact



注: 未插入FFC/FPC排线时禁止下压锁扣

Note: Do not close connector without FPC/FFC

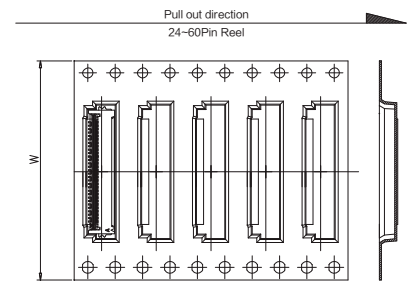
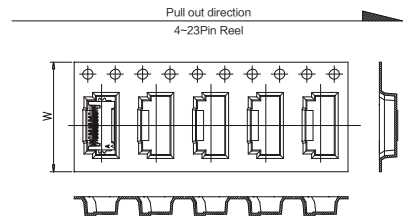
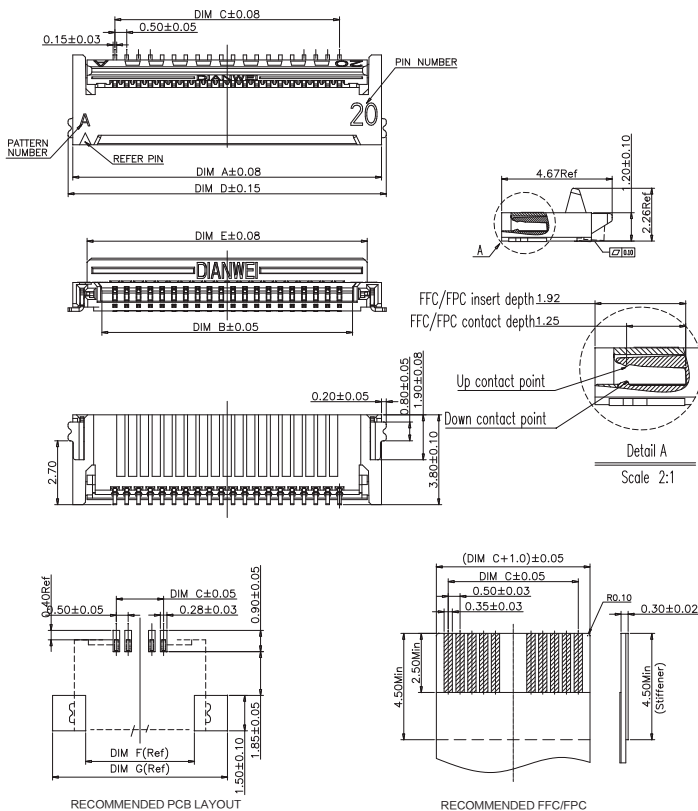
环保标准 Environmental protection standard:

符合欧盟 RoHS REACH 标准 Comply with the EU RoHS, REACH

Pin 数 Pin Number	定购料号 Part Number	DIM A	DIM B	DIM C	DIM D	DIM E	DIM F	DIM G
4	8.18A0.004200	5.06	2.55	1.50	5.46	3.85	4.10	6.90
5	8.18A0.005200	5.56	3.05	2.00	5.96	4.35	4.60	7.40
6	8.18A0.006200	6.06	3.55	2.50	6.46	4.85	5.10	7.90
7	8.18A0.007200	6.56	4.05	3.00	6.96	5.35	5.60	8.40
8	8.18A0.008200	7.06	4.55	3.50	7.46	5.85	6.10	8.90
10	8.18A0.010200	8.06	5.55	4.50	8.46	6.85	7.10	9.90
12	8.18A0.012200	9.06	6.55	5.50	9.46	7.85	8.10	10.90
14	8.18A0.014200	10.06	7.55	6.50	10.46	8.85	9.10	11.90
15	8.18A0.015200	10.56	8.05	7.00	10.96	9.35	9.60	12.40
16	8.18A0.016200	11.06	8.55	7.50	11.46	9.85	10.10	12.90
20	8.18A0.020200	13.06	10.55	9.50	13.46	11.85	12.10	14.90
24	8.18A0.024200	15.06	12.55	11.50	15.46	13.85	14.10	16.90
28	8.18A0.028200	17.06	14.55	13.50	17.46	15.85	16.10	18.90
30	8.18A0.030200	18.06	15.55	14.50	18.46	16.85	17.10	19.90

Pin 数 Pin Number	定购料号 Part Number	DIM A	DIM B	DIM C	DIM D	DIM E	DIM F	DIM G
32	8.18A0.032200	19.06	16.55	15.50	19.46	17.85	18.10	20.90
34	8.18A0.034200	20.06	17.55	16.50	20.46	18.85	19.10	21.90
35	8.18A0.035200	20.56	18.05	17.00	20.96	19.35	19.60	22.40
36	8.18A0.036200	21.06	18.55	17.50	21.46	19.85	20.10	22.90
40	8.18A0.040200	23.06	20.55	19.50	23.46	21.85	22.10	24.90
45	8.18A0.045200	25.56	23.05	22.00	25.96	24.35	24.60	27.40
50	8.18A0.050200	28.06	25.55	24.50	28.46	26.85	27.10	29.90
52	8.18A0.052200	29.06	26.55	25.50	29.46	27.85	28.10	30.90
56	8.18A0.056200	31.06	28.55	27.50	31.46	29.85	30.10	32.90
60	8.18A0.060200	33.06	30.55	29.50	33.46	31.85	32.10	34.90

Units: mm



NO.OF POS.	DIM W	PCS/REEL
4-7 PIN	16.0	3000
8-23 PIN	24.0	3000
24-33PIN	32.0	3000
34-55 PIN	44.0	3000
56-60 PIN	56.0	3000

◎ 主要技术参数 Main technical parameters

使用温度 Operating Temperature: -40 ~ +85°C
 额定电压 Rating Voltage: 50V(AC/DC)
 额定电流 Rating Current: 0.5A/PIN
 接触阻抗 Contact Resistance: 50mΩ Max
 绝缘阻抗 Insulation Resistance: 500MΩ Min
 插拔耐久性 Durability: 20 Times/Min

◎ 材料 Material

主体 Housing: LCP Natural UL94V-0
 锁扣 Cover: LCP Black UL94V-0
 端子 Terminal: Copper Alloy Plating: Au
 定位片 Stator: Copper Alloy Plating: Tin
 触点类型 Contact Type: Double Contact



◎ 注: 未插入FFC/FPC排线时禁止下压锁扣

Note: Do not close connector without FPC/FFC

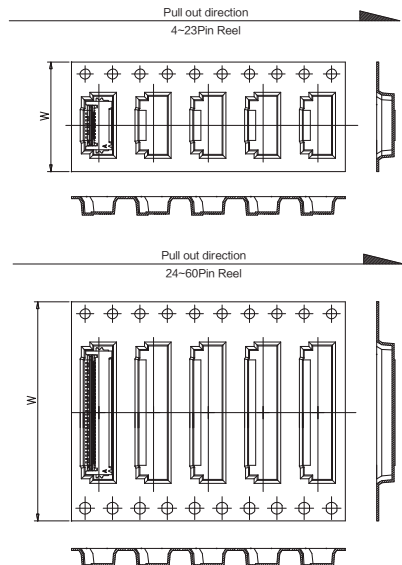
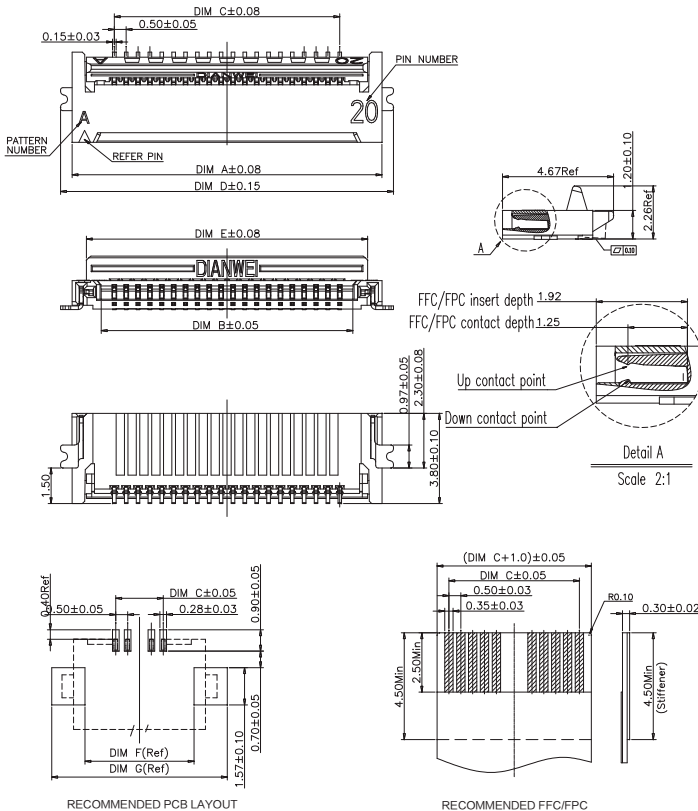
◎ 环保标准 Environmental protection standard:

符合欧盟 RoHS REACH 标准 Comply with the EU RoHS, REACH

Pin 数 Pin Number	定购料号 Part Number	DIM A	DIM B	DIM C	DIM D	DIM E	DIM F	DIM G
4	8.21A0.004200	5.06	2.55	1.50	6.00	3.85	4.10	6.90
5	8.21A0.005200	5.56	3.05	2.00	6.50	4.35	4.60	7.40
6	8.21A0.006200	6.06	3.55	2.50	7.00	4.85	5.10	7.90
7	8.21A0.007200	6.56	4.05	3.00	7.50	5.35	5.60	8.40
8	8.21A0.008200	7.06	4.55	3.50	8.00	5.85	6.10	8.90
10	8.21A0.010200	8.06	5.55	4.50	9.00	6.85	7.10	9.90
12	8.21A0.012200	9.06	6.55	5.50	10.00	7.85	8.10	10.90
14	8.21A0.014200	10.06	7.55	6.50	11.00	8.85	9.10	11.90
15	8.21A0.015200	10.56	8.05	7.00	11.50	9.35	9.60	12.40
16	8.21A0.016200	11.06	8.55	7.50	12.00	9.85	10.10	12.90
20	8.21A0.020200	13.06	10.55	9.50	14.00	11.85	12.10	14.90
24	8.21A0.024200	15.06	12.55	11.50	16.00	13.85	14.10	16.90
28	8.21A0.028200	17.06	14.55	13.50	18.00	15.85	16.10	18.90
30	8.21A0.030200	18.06	15.55	14.50	19.00	16.85	17.10	19.90

Pin 数 Pin Number	定购料号 Part Number	DIM A	DIM B	DIM C	DIM D	DIM E	DIM F	DIM G
32	8.21A0.032200	19.06	16.55	15.50	20.00	17.85	18.10	20.90
34	8.21A0.034200	20.06	17.55	16.50	21.00	18.85	19.10	21.90
35	8.21A0.035200	20.56	18.05	17.00	21.50	19.35	19.60	22.40
36	8.21A0.036200	21.06	18.55	17.50	22.00	19.85	20.10	22.90
40	8.21A0.040200	23.06	20.55	19.50	24.00	21.85	22.10	24.90
45	8.21A0.045200	25.56	23.05	22.00	26.50	24.35	24.60	27.40
50	8.21A0.050200	28.06	25.55	24.50	29.00	26.85	27.10	29.90
52	8.21A0.052200	29.06	26.55	25.50	30.00	27.85	28.10	30.90
56	8.21A0.056200	31.06	28.55	27.50	32.00	29.85	30.10	32.90
60	8.21A0.060200	33.06	30.55	29.50	34.00	31.85	32.10	34.90

Units: mm



NO.OF POS.	DIM W	PCS/REEL
4-7 PIN	16.0	3000
8-23 PIN	24.0	3000
24-33PIN	32.0	3000
34-55 PIN	44.0	3000
56-60 PIN	56.0	3000

0.5mm 间距双面接触后锁式FFC/FPC 连接器(H=1.2mm) Pitch 0.5mm, Dual Contact, Rear Flip FFC/FPC Connector(H=1.2mm)

商品系列号 : **8.22A0**
Product Series Number

主要技术参数 Main technical parameters

使用温度 Operating Temperature: -40 ~ +85°C
 额定电压 Rating Voltage: 50V(AC/DC)
 额定电流 Rating Current: 0.5A/PIN
 接触阻抗 Contact Resistance: 50mΩ Max
 绝缘阻抗 Insulation Resistance: 500MΩ Min
 插拔耐久性 Durability: 20 Times/Min

材料 Material

主体 Housing: LCP Natural UL94V-0
 锁扣 Cover: LCP Black UL94V-0
 端子 Terminal: Copper Alloy Plating: Au
 定位片 Stator: Copper Alloy Plating: Tin
 触点类型 Contact Type: Double Contact



注: 未插入FFC/FPC排线时禁止下压锁扣

Note: Do not close connector without FPC/FFC

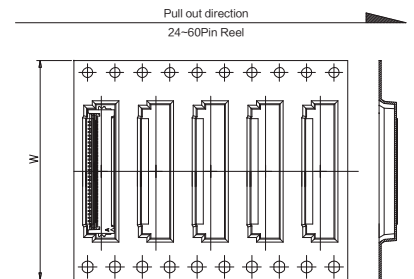
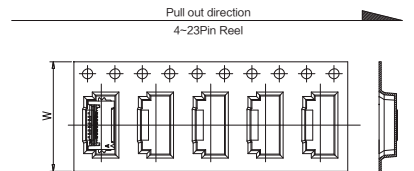
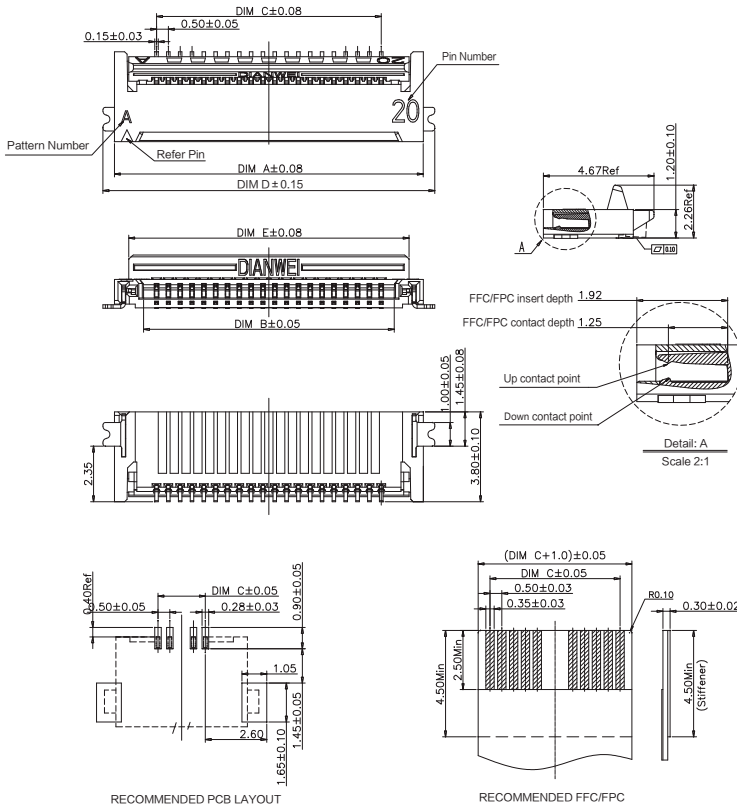
环保标准 Environmental protection standard:

符合欧盟 RoHS REACH 标准 Comply with the EU RoHS, REACH

Pin 数 Pin Number	订购料号 Part Number	DIM A	DIM B	DIM C	DIM D	DIM E
4	8.22A0.004200	5.06	2.55	1.50	6.00	3.85
5	8.22A0.005200	5.56	3.05	2.00	6.50	4.35
6	8.22A0.006200	6.06	3.55	2.50	7.00	4.85
7	8.22A0.007200	6.56	4.05	3.00	7.50	5.35
8	8.22A0.008200	7.06	4.55	3.50	8.00	5.85
10	8.22A0.010200	8.06	5.55	4.50	9.00	6.85
12	8.22A0.012200	9.06	6.55	5.50	10.00	7.85
14	8.22A0.014200	10.06	7.55	6.50	11.00	8.85
15	8.22A0.015200	10.56	8.05	7.00	11.50	9.35
16	8.22A0.016200	11.06	8.55	7.50	12.00	9.85
20	8.22A0.020200	13.06	10.55	9.50	14.00	11.85
24	8.22A0.024200	15.06	12.55	11.50	16.00	13.85
28	8.22A0.028200	17.06	14.55	13.50	18.00	15.85
30	8.22A0.030200	18.06	15.55	14.50	19.00	16.85

Pin 数 Pin Number	订购料号 Part Number	DIM A	DIM B	DIM C	DIM D	DIM E
32	8.22A0.032200	19.06	16.55	15.50	20.00	17.85
34	8.22A0.034200	20.06	17.55	16.50	21.00	18.85
35	8.22A0.035200	20.56	18.05	17.00	21.50	19.35
36	8.22A0.036200	21.06	18.55	17.50	22.00	19.85
40	8.22A0.040200	23.06	20.55	19.50	24.00	21.85
45	8.22A0.045200	25.56	23.05	22.00	26.50	24.35
50	8.22A0.050200	28.06	25.55	24.50	29.00	26.85
52	8.22A0.052200	29.06	26.55	25.50	30.00	27.85
56	8.22A0.056200	31.06	28.55	27.50	32.00	29.85
60	8.22A0.060200	33.06	30.55	29.50	34.00	31.85

Units: mm



NO.OF POS.	DIM W	PCS/REEL
4-7 PIN	16.0	3000
8-23 PIN	24.0	3000
24-33PIN	32.0	3000
34-55 PIN	44.0	3000
56-60 PIN	56.0	3000

◎ 主要技术参数 Main technical parameters

使用温度 Operating Temperature: -40 ~ +105℃
额定电压 Rating Voltage: 50V(AC/DC)
额定电流 Rating Current: 0.5A/PIN
接触阻抗 Contact Resistance: 50mΩ Max
绝缘阻抗 Insulation Resistance: 500MΩ Min
插拔耐久性 Durability: 20 Times/Min

◎ 材料 Material

主体 Housing: LCP Natural UL94V-0
锁扣 Cover: LCP Black UL94V-0
端子 Terminal: Copper Alloy Plating: Au
定位片 Stator: Copper Alloy Plating: Tin
触点类型 Contact Type: Double Contact



◎ 注: 未插入FFC/FPC排线时禁止下压锁扣

Note: Do not close connector without FFC/FPC

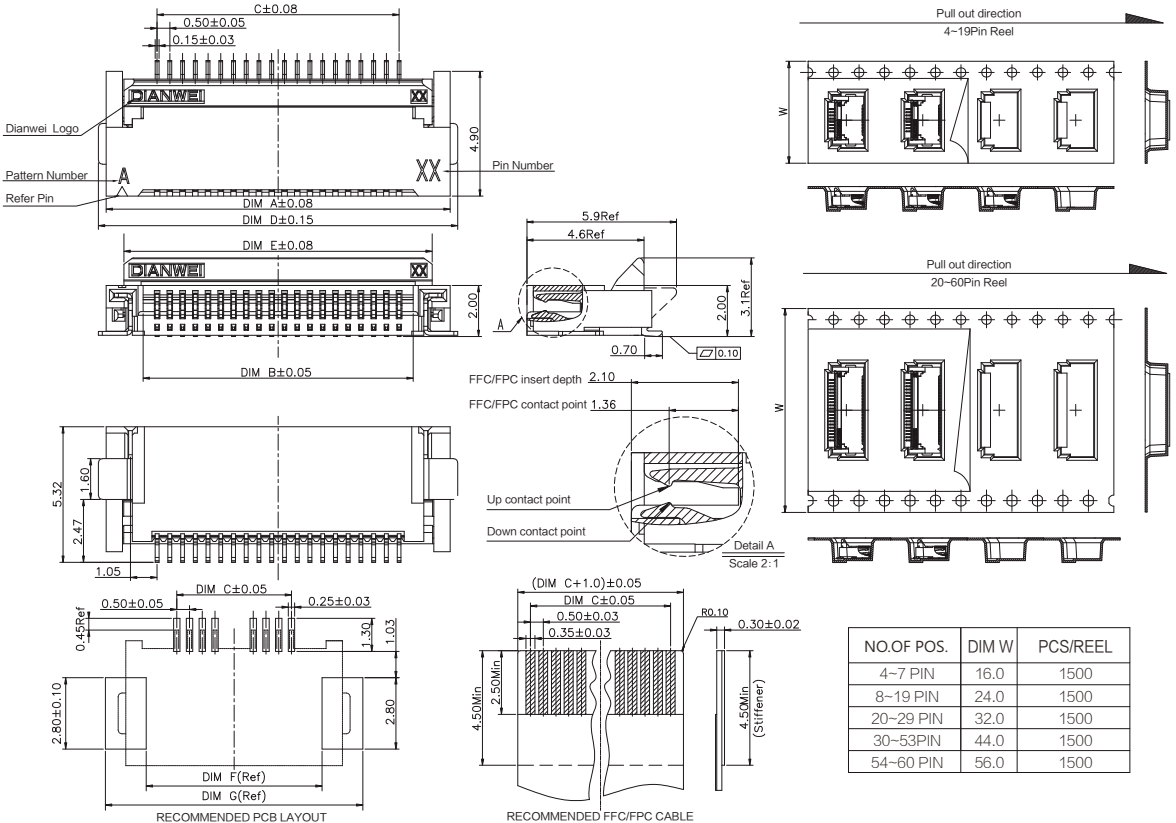
◎ 环保标准 Environmental protection standard:

符合欧盟 RoHS REACH 标准 Comply with the EU RoHS, REACH

Pin 数 Pin Number	定购料号 Part Number	DIM A	DIM B	DIM C	DIM D	DIM E	DIM F	DIM G
4	8.01A0.004200	5.50	2.55	1.50	6.10	4.10	3.90	7.10
6	8.01A0.006200	6.50	3.55	2.50	7.10	5.10	4.90	8.10
8	8.01A0.008200	7.50	4.55	3.50	8.10	6.10	5.90	9.10
9	8.01A0.009200	8.00	5.05	4.00	8.60	6.60	6.40	9.60
10	8.01A0.010200	8.50	5.55	4.50	9.10	7.10	6.90	10.10
12	8.01A0.012200	9.50	6.55	5.50	10.10	8.10	7.90	11.10
14	8.01A0.014200	10.50	7.55	6.50	11.10	9.10	8.90	12.10
15	8.01A0.015200	11.00	8.05	7.00	11.60	9.60	9.40	12.60
16	8.01A0.016200	11.50	8.55	7.50	12.10	10.10	9.90	13.10
18	8.01A0.018200	12.50	9.55	8.50	13.10	11.10	10.90	14.10
20	8.01A0.020200	13.50	10.55	9.50	14.10	12.10	11.90	15.10
22	8.01A0.022200	14.50	11.55	10.50	15.10	13.10	12.90	16.10
24	8.01A0.024200	15.50	12.55	11.50	16.10	14.10	13.90	17.10
26	8.01A0.026200	16.50	13.55	12.50	17.10	15.10	14.90	18.10
28	8.01A0.028200	17.50	14.55	13.50	18.10	16.10	15.90	19.10

Pin 数 Pin Number	定购料号 Part Number	DIM A	DIM B	DIM C	DIM D	DIM E	DIM F	DIM G
30	8.01A0.030200	18.50	15.55	14.50	19.10	17.10	16.90	20.10
32	8.01A0.032200	19.50	16.55	15.50	20.10	18.10	17.90	21.10
34	8.01A0.034200	20.50	17.55	16.50	21.10	19.10	18.90	22.10
35	8.01A0.035200	21.00	18.05	17.00	21.60	19.60	19.40	22.60
36	8.01A0.036200	21.50	18.55	17.50	22.10	20.10	19.90	23.10
40	8.01A0.040200	23.50	20.55	19.50	24.10	22.10	21.90	25.10
41	8.01A0.041200	24.00	21.05	20.00	24.60	22.60	22.40	25.60
42	8.01A0.042200	24.50	21.55	20.50	25.10	23.10	22.90	26.10
45	8.01A0.045200	26.00	23.05	22.00	26.60	24.60	24.40	27.60
50	8.01A0.050200	28.50	25.55	24.50	29.10	27.10	26.90	30.10
51	8.01A0.051200	29.00	26.05	25.00	29.60	27.60	27.40	30.60
52	8.01A0.052200	29.50	26.55	25.50	30.10	28.10	27.90	31.10
54	8.01A0.054200	30.50	27.55	26.50	31.10	29.10	28.90	32.10
55	8.01A0.055200	31.00	28.05	27.00	31.60	29.60	29.40	32.60
60	8.01A0.060200	33.50	30.55	29.50	34.10	32.10	31.90	35.10

Units: mm



0.5mm 间距双面接触后锁式FFC/FPC 连接器(H=2.0mm) Pitch 0.5mm, Dual Contact, Rear Flip FFC/FPC Connector(H=2.0mm)

商品系列号 : **8.19A0**
Product Series Number

◎ 主要技术参数 Main technical parameters

使用温度 Operating Temperature: -40 ~ +85°C
 额定电压 Rating Voltage: 50V(AC/DC)
 额定电流 Rating Current: 0.5A/PIN
 接触阻抗 Contact Resistance: 50mΩ Max
 绝缘阻抗 Insulation Resistance: 500MΩ Min
 插拔耐久性 Durability: 20 Times/Min

◎ 材料 Material

主体 Housing: LCP Natural UL94V-0
 锁扣 Cover: LCP Black UL94V-0
 端子 Terminal: Copper Alloy Plating: Au
 定位片 Stator: Copper Alloy Plating: Tin
 触点类型 Contact Type: Double Contact



◎ 注: 未插入FFC/FPC排线时禁止下压锁扣

Note: Do not close connector without FPC/FFC

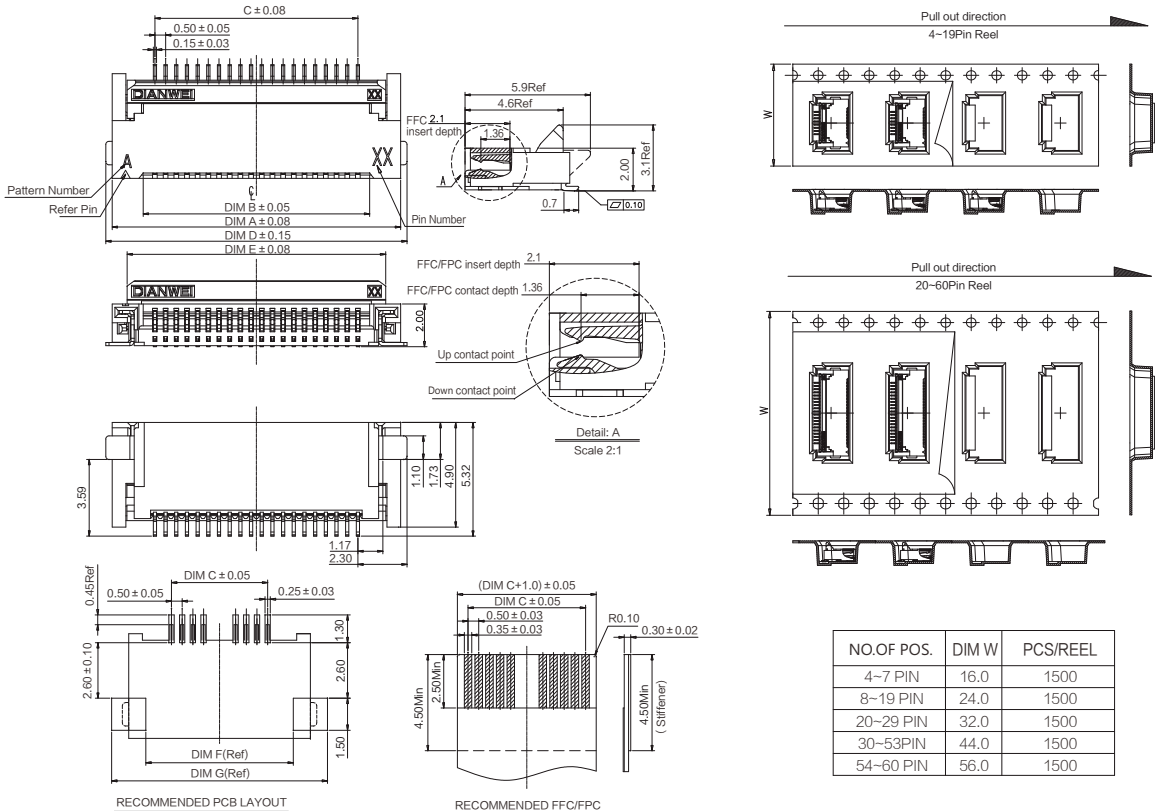
◎ 环保标准 Environmental protection standard:

符合欧盟 RoHS REACH 标准 Comply with the EU RoHS, REACH

Pin 数 Pin Number	定购料号 Part Number	DIM A	DIM B	DIM C	DIM D	DIM E	DIM F	DIM G
4	8.19A0.004200	5.50	2.55	1.50	6.10	4.10	3.90	7.10
6	8.19A0.006200	6.50	3.55	2.50	7.10	5.10	4.90	8.10
8	8.19A0.008200	7.50	4.55	3.50	8.10	6.10	5.90	9.10
9	8.19A0.009200	8.00	5.05	4.00	8.60	6.60	6.40	9.60
10	8.19A0.010200	8.50	5.55	4.50	9.10	7.10	6.90	10.10
12	8.19A0.012200	9.50	6.55	5.50	10.10	8.10	7.90	11.10
14	8.19A0.014200	10.50	7.55	6.50	11.10	9.10	8.90	12.10
15	8.19A0.015200	11.00	8.05	7.00	11.60	9.60	9.40	12.60
16	8.19A0.016200	11.50	8.55	7.50	12.10	10.10	9.90	13.10
18	8.19A0.018200	12.50	9.55	8.50	13.10	11.10	10.90	14.10
20	8.19A0.020200	13.50	10.55	9.50	14.10	12.10	11.90	15.10
22	8.19A0.022200	14.50	11.55	10.50	15.10	13.10	12.90	16.10
24	8.19A0.024200	15.50	12.55	11.50	16.10	14.10	13.90	17.10
26	8.19A0.026200	16.50	13.55	12.50	17.10	15.10	14.90	18.10
28	8.19A0.028200	17.50	14.55	13.50	18.10	16.10	15.90	19.10

Pin 数 Pin Number	定购料号 Part Number	DIM A	DIM B	DIM C	DIM D	DIM E	DIM F	DIM G
30	8.19A0.030200	18.50	15.55	14.50	19.10	17.10	16.90	20.10
32	8.19A0.032200	19.50	16.55	15.50	20.10	18.10	17.90	21.10
34	8.19A0.034200	20.50	17.55	16.50	21.10	19.10	18.90	22.10
35	8.19A0.035200	21.00	18.05	17.00	21.60	19.60	19.40	22.60
36	8.19A0.036200	21.50	18.55	17.50	22.10	20.10	19.90	23.10
40	8.19A0.040200	23.50	20.55	19.50	24.10	22.10	21.90	25.10
41	8.19A0.041200	24.00	21.05	20.00	24.60	22.60	22.40	25.60
42	8.19A0.042200	24.50	21.55	20.50	25.10	23.10	22.90	26.10
45	8.19A0.045200	26.00	23.05	22.00	26.60	24.60	24.40	27.60
50	8.19A0.050200	28.50	25.55	24.50	29.10	27.10	26.90	30.10
51	8.19A0.051200	29.00	26.05	25.00	29.60	27.60	27.40	30.60
52	8.19A0.052200	29.50	26.55	25.50	30.10	28.10	27.90	31.10
54	8.19A0.054200	30.50	27.55	26.50	31.10	29.10	28.90	32.10
55	8.19A0.055200	31.00	28.05	27.00	31.60	29.60	29.40	32.60
60	8.19A0.060200	33.50	30.55	29.50	34.10	32.10	31.90	35.10

Units: mm



◎ 主要技术参数 Main technical parameters

使用温度 Operating Temperature: -40 ~ +105℃
额定电压 Rating Voltage: 50V(AC/DC)
额定电流 Rating Current: 0.5A/PIN
接触阻抗 Contact Resistance: 50mΩ Max
绝缘阻抗 Insulation Resistance: 500MΩ Min
插拔耐久性 Durability: 20 Times/Min

◎ 材料 Material

主体 Housing: LCP Natural UL94V-0
锁扣 Cover: LCP Black UL94V-0
端子 Terminal: Copper Alloy Plating: Au
定位片 Stator: Copper Alloy Plating: Tin
触点类型 Contact Type: Double Contact



◎ 注: 未插入FFC/FPC排线时禁止下压锁扣

Note: Do not close connector without FPC/FFC

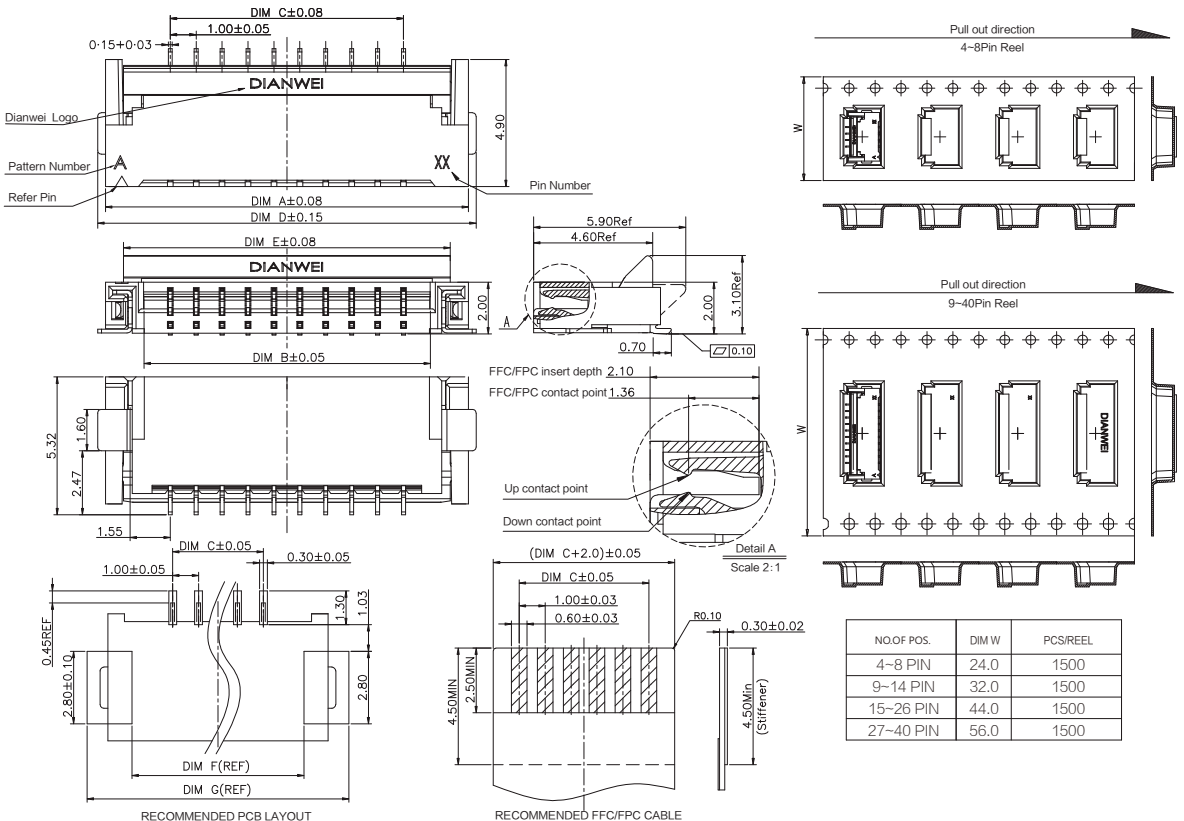
◎ 环保标准 Environmental protection standard:

符合欧盟 RoHS REACH 标准 Comply with the EU RoHS, REACH

Pin 数 Pin Number	定购料号 Part Number	DIM A	DIM B	DIM C	DIM D	DIM E	DIM F	DIM G
04	8.04A0.004200	8.00	5.05	3.00	8.60	6.60	6.40	9.60
05	8.04A0.005200	9.00	6.05	4.00	9.60	7.60	7.40	10.60
06	8.04A0.006200	10.00	7.05	5.00	10.60	8.60	8.40	11.60
08	8.04A0.008200	12.00	9.05	7.00	12.60	10.60	10.40	13.60
10	8.04A0.010200	14.00	11.05	9.00	14.60	12.60	12.40	15.60
12	8.04A0.012200	16.00	13.05	11.00	16.60	14.60	14.40	17.60
13	8.04A0.013200	17.00	14.05	12.00	17.60	15.60	15.40	18.60
14	8.04A0.014200	18.00	15.05	13.00	18.60	16.60	16.40	19.60
15	8.04A0.015200	19.00	16.05	14.00	19.60	17.60	17.40	20.60
16	8.04A0.016200	20.00	17.05	15.00	20.60	18.60	18.40	21.60
18	8.04A0.018200	22.00	19.05	17.00	22.60	20.60	20.40	23.60
20	8.04A0.020200	24.00	21.05	19.00	24.60	22.60	22.40	25.60
24	8.04A0.024200	28.00	25.05	23.00	28.60	26.60	26.40	29.60
26	8.04A0.026200	30.00	27.05	25.00	30.60	28.60	28.40	31.60

Pin 数 Pin Number	定购料号 Part Number	DIM A	DIM B	DIM C	DIM D	DIM E	DIM F	DIM G
27	8.04A0.027200	31.00	28.05	26.00	31.60	29.60	29.40	32.60
28	8.04A0.028200	32.00	29.05	27.00	32.60	30.60	30.40	33.60
30	8.04A0.030200	34.00	31.05	29.00	34.60	32.60	32.40	35.60
36	8.04A0.036200	40.00	37.05	35.00	40.60	38.60	38.40	41.60
40	8.04A0.040200	44.00	41.05	39.00	44.60	42.60	42.40	45.60

Units: mm



0.3mm 间距掀盖下接触式FFC/FPC 连接器(H=1.1mm) Pitch 0.3mm, Bottom Contact, Front Flip FFC/FPC Connector(H=1.1mm)

商品系列号 : **8.26A0**
Product Series Number

◎ 主要技术参数 Main technical parameters

使用温度 Operating Temperature: -40 ~ +85°C
 额定电压 Rating Voltage: 30V(AC/DC)
 额定电流 Rating Current: 0.2A/PIN
 接触阻抗 Contact Resistance: 100mΩ Max
 绝缘阻抗 Insulation Resistance: 50MΩ Min
 插拔耐久性 Durability: 10 Times/Min

◎ 材料 Material

主体 Housing: Thermoplastic UL94V-0
 锁扣 Cover: Thermoplastic UL94V-0
 端子 Terminal: Copper Alloy Plating: Au
 定位片 Stator: Copper Alloy Plating: Tin
 触点类型 Contact Type: Bottom Contact



◎ 环保标准 Environmental protection standard:

符合欧盟 RoHS REACH 标准 Comply with the EU RoHS, REACH

Pin 数 Pin Number	定购料号 Part Number	DIM A	DIM B	DIM C	DIM D	DIM E	DIM F
13	8.26A0.013200	5.40	4.23	3.60	3.00	4.90	4.20
15	8.26A0.015200	6.00	4.83	4.20	3.60	5.50	4.80
17	8.26A0.017200	6.60	5.43	4.80	4.20	6.10	5.40
19	8.26A0.019200	7.20	6.03	5.40	4.80	6.70	6.00
21	8.26A0.021200	7.80	6.63	6.00	5.40	7.30	6.60
23	8.26A0.023200	8.40	7.23	6.60	6.00	7.90	7.20
25	8.26A0.025200	9.00	7.83	7.20	6.60	8.50	7.80
27	8.26A0.027200	9.60	8.43	7.80	7.20	9.10	8.40
29	8.26A0.029200	10.20	9.03	8.40	7.80	9.70	9.00
31	8.26A0.031200	10.80	9.63	9.00	8.40	10.30	9.60
33	8.26A0.033200	11.40	10.23	9.60	9.00	10.90	10.20
35	8.26A0.035200	12.00	10.83	10.20	9.60	11.50	10.80
37	8.26A0.037200	12.60	11.43	10.80	10.20	12.10	11.40
39	8.26A0.039200	13.20	12.03	11.40	10.80	12.70	12.00

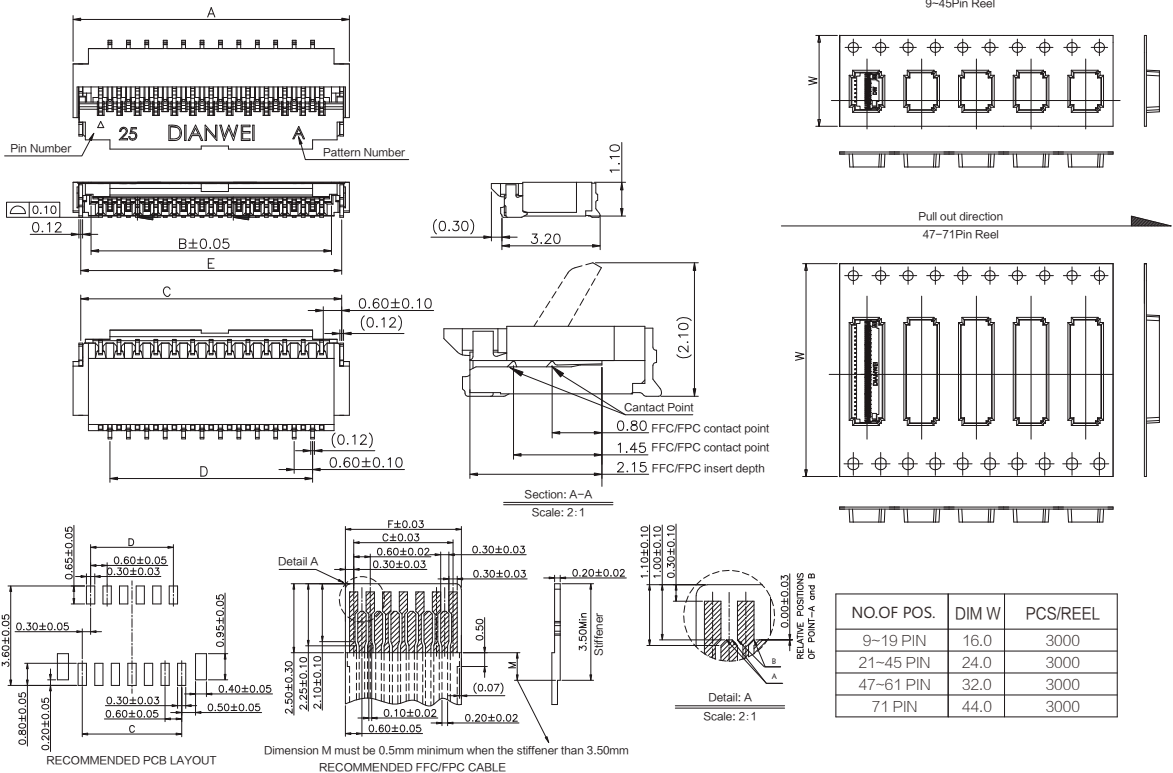


8.26A1:
主体黑色, 锁扣棕色
Black housing, Brown cover

8.26A2:
主体黑色, 锁扣黑色
Black housing, Black cover

Pin 数 Pin Number	定购料号 Part Number	DIM A	DIM B	DIM C	DIM D	DIM E	DIM F
41	8.26A0.041200	13.80	12.63	12.00	11.40	13.30	12.60
45	8.26A0.045200	15.00	13.83	13.20	12.60	14.50	13.80
51	8.26A0.051200	16.80	15.63	15.00	14.40	16.30	15.60
57	8.26A0.057200	18.60	17.43	16.80	16.20	18.10	17.40
61	8.26A0.061200	19.80	18.63	18.00	17.40	19.30	18.60
71	8.26A0.071200	22.80	21.63	21.00	20.40	22.30	21.60

Units: mm



◎ 主要技术参数 Main technical parameters

使用温度 Operating Temperature: -40 ~ +105℃
额定电压 Rating Voltage: 50V(AC/DC)
额定电流 Rating Current: 0.5A/PIN
接触阻抗 Contact Resistance: 50mΩ Max
绝缘阻抗 Insulation Resistance: 500MΩ Min
插拔耐久性 Durability: 20 Times/Min

◎ 材料 Material

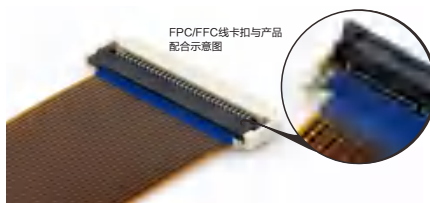
主体 Housing: LCP Natural UL94V-0
锁扣 Cover: LCP Black UL94V-0
端子 Terminal: Copper Alloy Plating: Au
定位片 Stator: Copper Alloy Plating: Tin
触点类型 Contact Type: Bottom Contact



◎ 环保标准 Environmental protection standard:

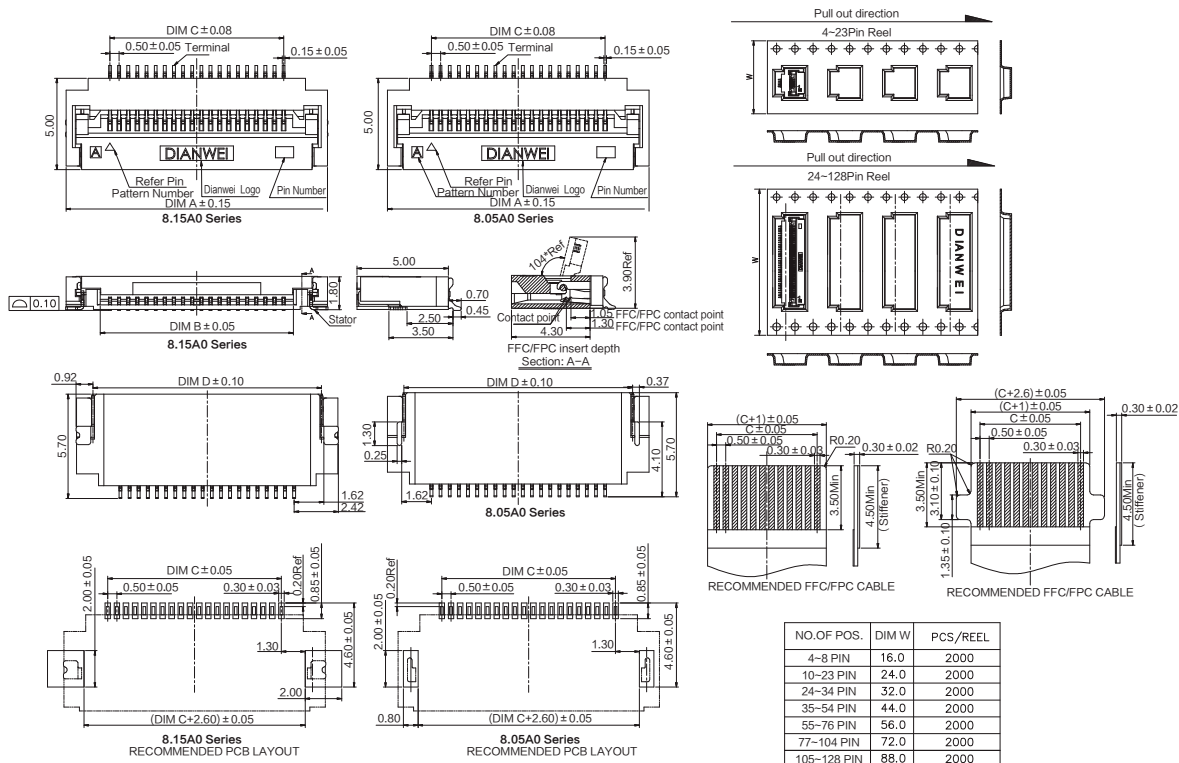
符合欧盟 RoHS REACH 标准 Comply with the EU RoHS, REACH

Pin 数 Pin Number	定购料号 Part Number	DIM A	DIM B	DIM C	DIM D
4	8.15A0.004200	6.30	2.56	1.50	4.50
6	8.15A0.006200	7.30	3.56	2.50	5.50
8	8.15A0.008200	8.30	4.56	3.50	6.50
10	8.15A0.010200	9.30	5.56	4.50	7.50
12	8.15A0.012200	10.30	6.56	5.50	8.50
20	8.15A0.020200	14.30	10.56	9.50	12.50
24	8.15A0.024200	16.30	12.56	11.50	14.50
30	8.15A0.030200	19.30	15.56	14.50	17.50
40	8.15A0.040200	24.30	20.56	19.50	22.50
42	8.15A0.042200	25.30	21.56	20.50	23.50
45	8.15A0.045200	26.80	23.06	22.00	25.00
50	8.15A0.050200	29.30	25.56	24.50	27.50
54	8.15A0.054200	31.30	27.56	26.50	29.50
55	8.15A0.055200	31.80	28.06	27.00	30.00
56	8.15A0.056200	32.30	28.56	27.50	30.50
60	8.15A0.060200	34.30	30.56	29.50	32.50



Pin 数 Pin Number	定购料号 Part Number	DIM A	DIM B	DIM C	DIM D
64	8.15A0.064200	36.30	32.56	31.50	34.50
68	8.15A0.068200	38.30	34.56	33.50	36.50
80	8.15A0.080200	44.30	40.56	39.50	42.50
96	8.15A0.096200	52.30	48.56	47.50	50.50
100	8.15A0.100200	54.30	50.56	49.50	52.50
128	8.15A0.128200	68.30	64.56	63.50	66.50

Units: mm



NO. OF POS.	DIM W	PCS/REEL
4-8 PIN	16.0	2000
10-23 PIN	24.0	2000
24-34 PIN	32.0	2000
35-54 PIN	44.0	2000
55-76 PIN	56.0	2000
77-104 PIN	72.0	2000
105-128 PIN	88.0	2000

0.5mm 间距掀盖下接触式FFC/FPC 连接器(H=1.8mm) Pitch 0.5mm, Bottom Contact, Front Flip FFC/FPC Connector(H=1.8mm)

商品系列号 : **8.20A0**
Product Series Number

◎ 主要技术参数 Main technical parameters

使用温度 Operating Temperature: -40 ~ +105℃
 额定电压 Rating Voltage: 50V(AC/DC)
 额定电流 Rating Current: 0.5A/PIN
 接触阻抗 Contact Resistance: 50mΩ Max
 绝缘阻抗 Insulation Resistance: 500MΩ Min
 插拔耐久性 Durability: 20 Times/Min

◎ 材料 Material

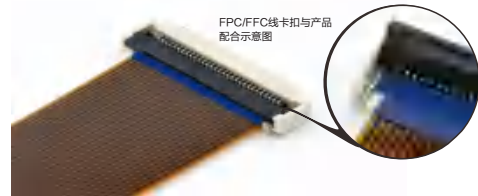
主体 Housing: LCP Natural UL94V-0
 锁扣 Cover: LCP Black UL94V-0
 端子 Terminal: Copper Alloy Plating: Au
 定位片 Stator: Copper Alloy Plating: Tin
 触点类型 Contact Type: Bottom Contact



◎ 环保标准 Environmental protection standard:

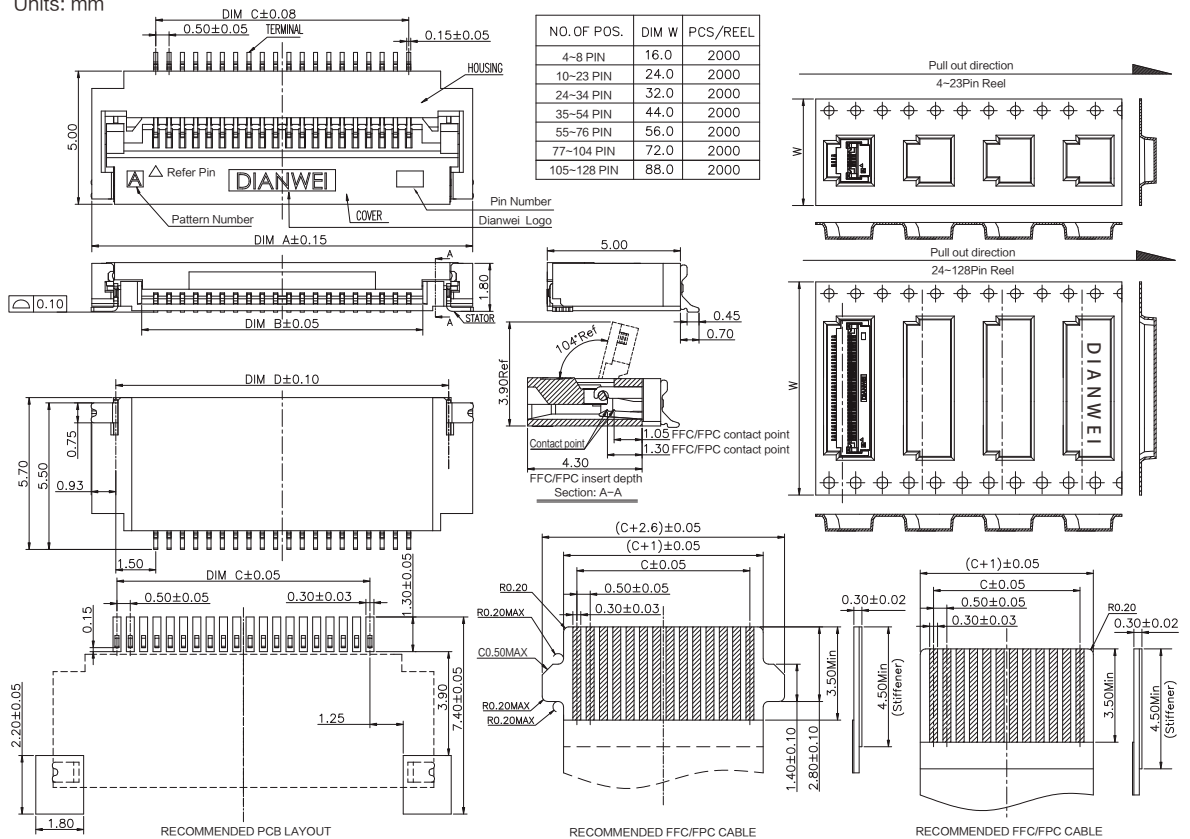
符合欧盟 RoHS REACH 标准 Comply with the EU RoHS, REACH

Pin 数 Pin Number	定购料号 Part Number	DIM A	DIM B	DIM C	DIM D
4	8.20A0.004200	6.30	2.56	1.50	4.50
6	8.20A0.006200	7.30	3.56	2.50	5.50
8	8.20A0.008200	8.30	4.56	3.50	6.50
10	8.20A0.010200	9.30	5.56	4.50	7.50
12	8.20A0.012200	10.30	6.56	5.50	8.50
20	8.20A0.020200	14.30	10.56	9.50	12.50
24	8.20A0.024200	16.30	12.56	11.50	14.50
30	8.20A0.030200	19.30	15.56	14.50	17.50
40	8.20A0.040200	24.30	20.56	19.50	22.50
42	8.20A0.042200	25.30	21.56	20.50	23.50
45	8.20A0.045200	26.80	23.06	22.00	25.00
50	8.20A0.050200	29.30	25.56	24.50	27.50
54	8.20A0.054200	31.30	27.56	26.50	29.50
55	8.20A0.055200	31.80	28.06	27.00	30.00
56	8.20A0.056200	32.30	28.56	27.50	30.50
60	8.20A0.060200	34.30	30.56	29.50	32.50



Pin 数 Pin Number	定购料号 Part Number	DIM A	DIM B	DIM C	DIM D
64	8.20A0.064200	36.30	32.56	31.50	34.50
68	8.20A0.068200	38.30	34.56	33.50	36.50
80	8.20A0.080200	44.30	40.56	39.50	42.50
96	8.20A0.096200	52.30	48.56	47.50	50.50
100	8.20A0.100200	54.30	50.56	49.50	52.50
128	8.20A0.128200	68.30	64.56	63.50	66.50

Units: mm



◎ 主要技术参数 Main technical parameters

使用温度 Operating Temperature: -40 ~ +105°C
 额定电压 Rating Voltage: 50V(AC/DC)
 额定电流 Rating Current: 0.5A/PIN
 接触阻抗 Contact Resistance: 50mΩ Max
 绝缘阻抗 Insulation Resistance: 500MΩ Min
 插拔耐久性 Durability: 20 Times/Min

◎ 材料 Material

主体 Housing: LCP Natural UL94V-0
 锁扣 Cover: LCP Black UL94V-0
 端子 Terminal: Copper Alloy Plating: Au
 定位片 Stator: Copper Alloy Plating: Tin
 触点类型 Contact Type: Bottom Contact

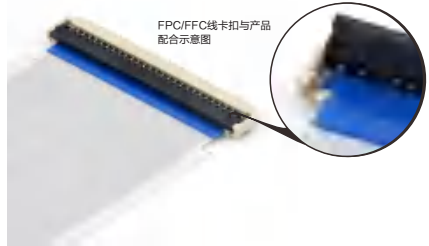


◎ 环保标准 Environmental protection standard:

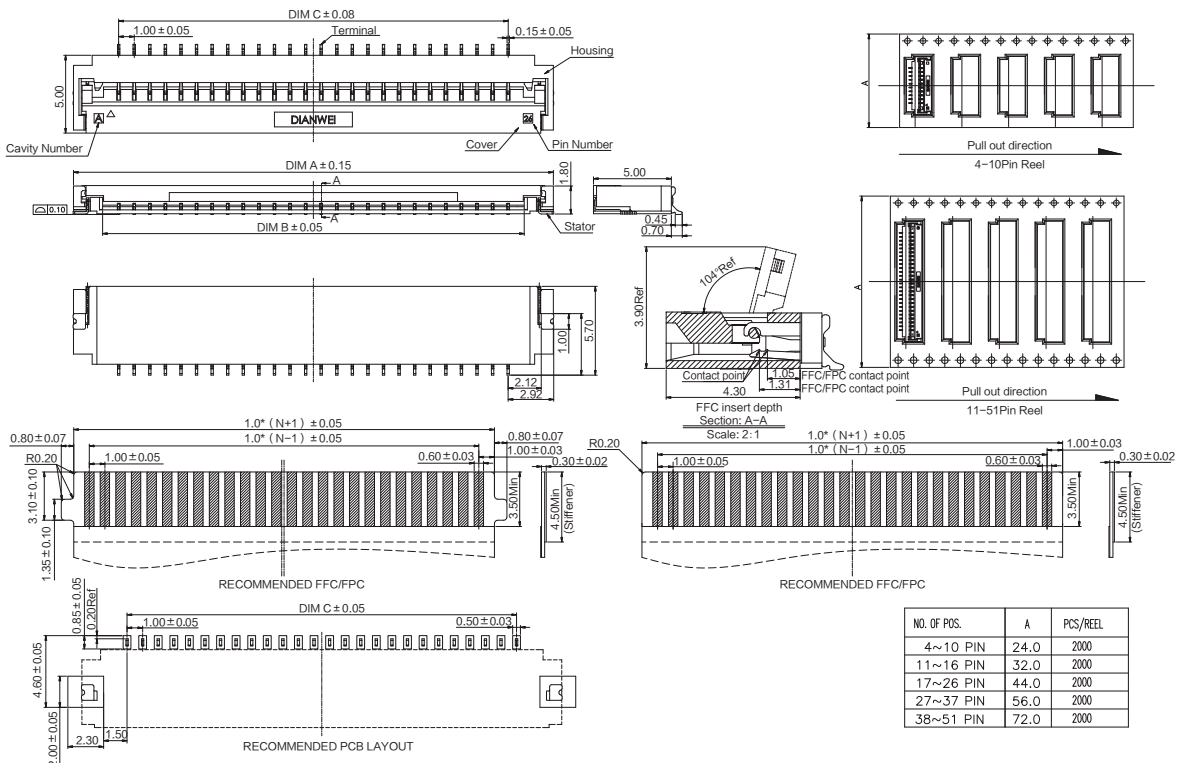
符合欧盟 RoHS REACH 标准 Comply with the EU RoHS, REACH

Pin 数 Pin Number	订购料号 Part Number	DIM A	DIM B	DIM C
04	8.25A0.004200	8.80	5.06	3.00
05	8.25A0.005200	9.80	6.06	4.00
06	8.25A0.006200	10.80	7.06	5.00
08	8.25A0.008200	12.80	9.06	7.00
10	8.25A0.010200	14.80	11.06	9.00
12	8.25A0.012200	16.80	13.06	11.00
13	8.25A0.013200	17.80	14.06	12.00
14	8.25A0.014200	18.80	15.06	13.00
15	8.25A0.015200	19.80	16.06	14.00

Pin 数 Pin Number	订购料号 Part Number	DIM A	DIM B	DIM C
16	8.25A0.016200	20.80	17.06	15.00
18	8.25A0.018200	22.80	19.06	17.00
20	8.25A0.020200	24.80	21.06	19.00
24	8.25A0.024200	28.80	25.06	23.00
26	8.25A0.026200	30.80	27.06	25.00
28	8.25A0.028200	32.80	29.06	27.00
30	8.25A0.030200	34.80	31.06	29.00
36	8.25A0.036200	40.80	37.06	35.00
40	8.25A0.040200	44.80	41.06	39.00



Units: mm



0.5mm 间距带接地片下接触掀盖式FFC/FPC 连接器(H=1.8mm) (Anti-EMI) Pitch 0.5mm, Bottom Contact, Front Flip FFC/FPC Connector (H=1.8mm)

商品系列号 : **8.59A0**
Product Series Number

◎ 主要技术参数 Main technical parameters

使用温度 Operating Temperature: -40 ~ +105℃
 额定电压 Rating Voltage: 50V(AC/DC)
 额定电流 Rating Current: 0.5A/PIN
 接触阻抗 Contact Resistance: 50mΩ Max
 绝缘阻抗 Insulation Resistance: 500MΩ Min
 插拔耐久性 Durability: 20 Times/Min

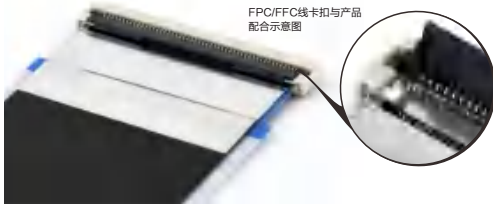
◎ 材料 Material

主体 Housing: LCP Natural UL94V-0
 锁扣 Cover: LCP Black UL94V-0
 端子 Terminal: Copper Alloy Plating: Au
 定位片 Stator: Copper Alloy Plating: Tin
 触点类型 Contact Type: Bottom Contact



◎ 环保标准 Environmental protection standard:

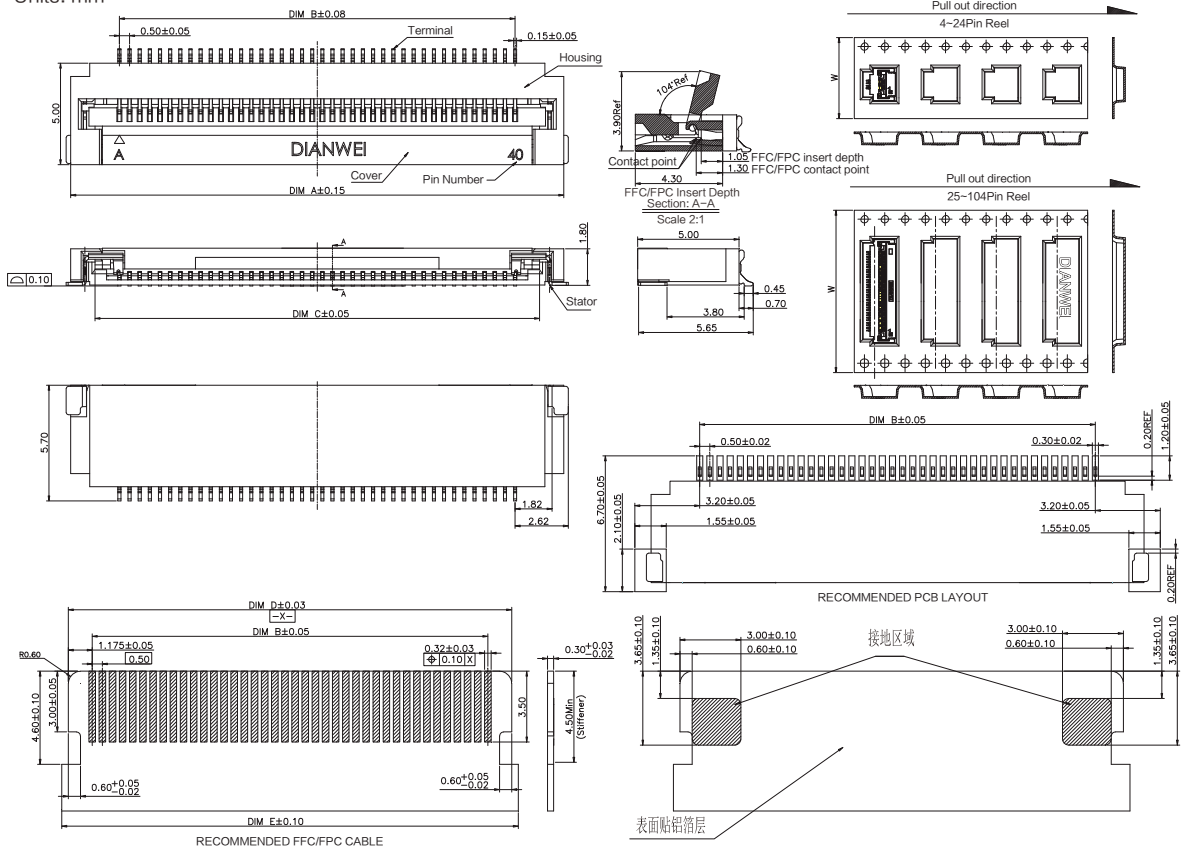
符合欧盟 RoHS REACH 标准 Comply with the EU RoHS, REACH



Pin 数 Pin Number	DIM A	DIM B	DIM C	DIM D	DIM E
09	8.80	4.00	6.41	6.35	7.00
40	24.30	19.50	21.91	21.85	22.50
51	29.80	25.00	27.41	27.35	28.00
60	34.30	29.50	31.91	31.85	32.50
68	38.30	33.50	35.91	35.85	36.50
80	44.30	39.50	41.91	41.85	42.50
96	52.30	47.50	49.91	49.85	50.50

NO. OF POS.	DIM W	PCS/REEL
4~8 PIN	16.0	2000
10~24 PIN	24.0	2000
25~34 PIN	32.0	2000
35~54 PIN	44.0	2000
55~76 PIN	56.0	2000
77~104 PIN	72.0	2000
105~128 PIN	88.0	2000

Units: mm



◎ 主要技术参数 Main technical parameters

使用温度 Operating Temperature: -40 ~ +125℃
额定电压 Rating Voltage: 50V(AC/DC)
额定电流 Rating Current: 0.5A/PIN
接触阻抗 Contact Resistance: 50mΩ Max
绝缘阻抗 Insulation Resistance: 500MΩ Min
插拔耐久性 Durability: 20 Times/Min

◎ 材料 Material

主体 Housing: LCP Natural UL94V-0
锁扣 Cover: LCP Black UL94V-0
端子 Terminal: Copper Alloy Plating: Au
定位片 Stator: Steel Plating: Tin
触点类型 Contact Type: Bottom Contact

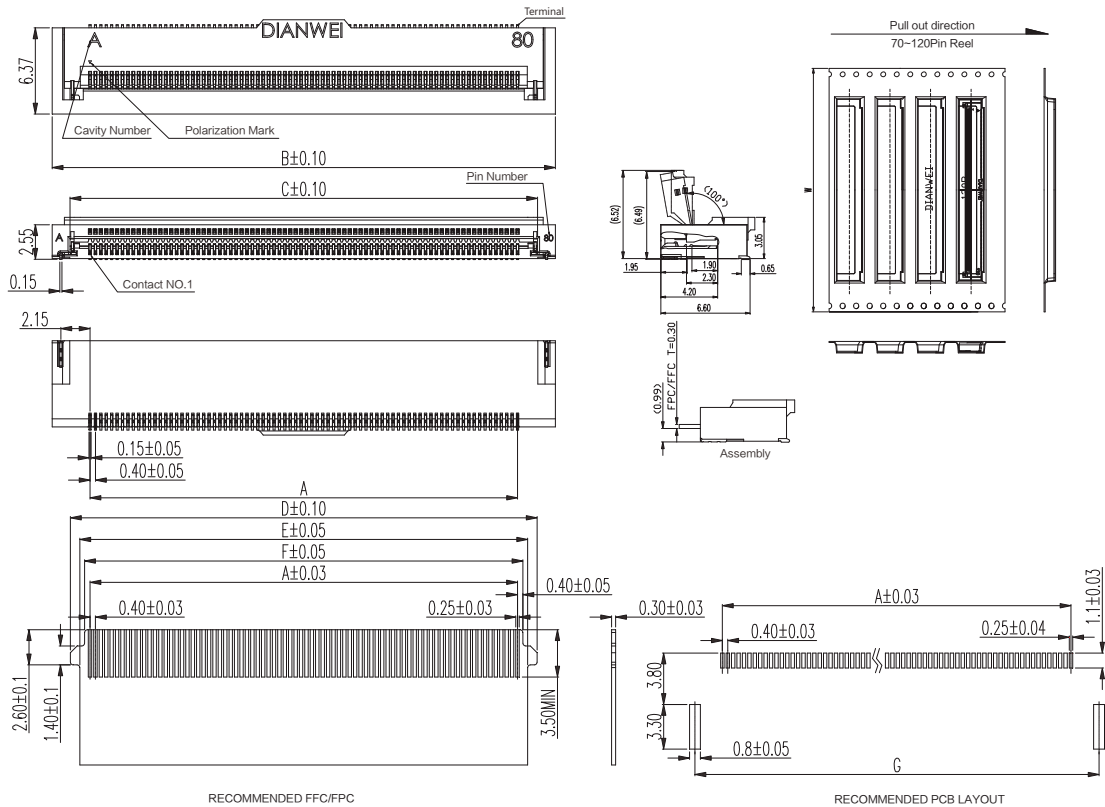


◎ 环保标准 Environmental protection standard:

符合欧盟 RoHS REACH 标准 Comply with the EU RoHS, REACH

Pin 数 Pin Number	定购料号 Part Number	DIM A	DIM B	DIM C	DIM D	DIM E	DIM F	DIM G
70	8.68A0.070200	27.60	33.20	30.56	30.50	29.10	28.40	31.70
80	8.68A0.080200	31.60	37.20	34.56	34.50	33.10	32.40	35.70
90	8.68A0.090200	35.60	41.20	38.56	38.50	37.10	36.40	39.70
100	8.68A0.100200	39.60	45.20	42.56	42.50	41.10	40.40	43.70
110	8.68A0.110200	43.60	49.20	46.56	46.50	45.10	44.40	47.70
120	8.68A0.120200	47.60	53.20	50.56	50.50	49.10	48.40	51.70

Units: mm



0.5mm 间距掀盖下接触后锁式FFC/FPC 连接器(H=2.55mm) Pitch 0.5mm, Bottom Contact, Rear Flip FFC/FPC Connector(H=2.55mm)

商品系列号 : **8.58A0**
Product Series Number



◎ 主要技术参数 Main technical parameters

使用温度 Operating Temperature: -40 ~ +125℃
 额定电压 Rating Voltage: 50V(AC/DC)
 额定电流 Rating Current: 0.5A/PIN
 接触阻抗 Contact Resistance: 50mΩ Max
 绝缘阻抗 Insulation Resistance: 500MΩ Min
 插拔耐久性 Durability: 20 Times/Min

◎ 材料 Material

主体 Housing: LCP Natural UL94V-0
 锁扣 Cover: LCP Black UL94V-0
 端子 Terminal: Copper Alloy Plating: Au
 定位片 Stator: Steel Plating: Tin
 触点类型 Contact Type: Bottom Contact

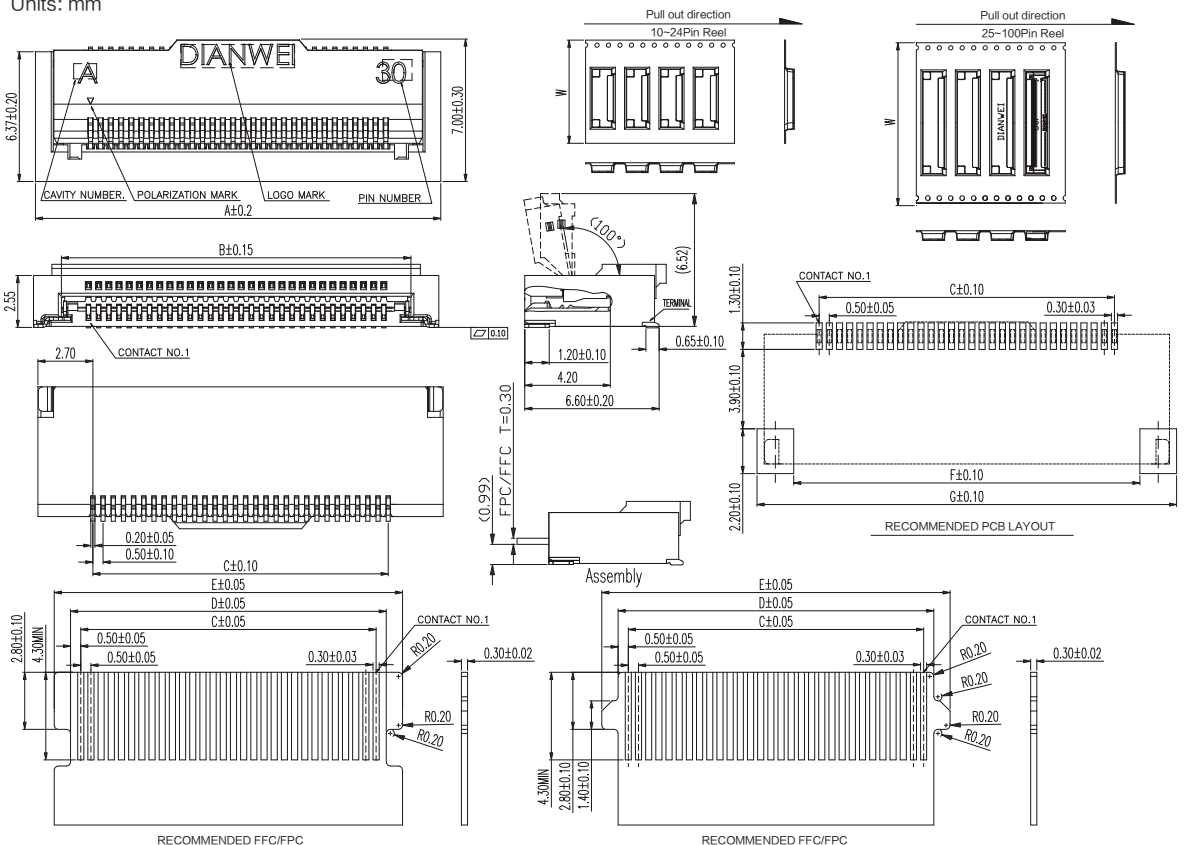
◎ 环保标准 Environmental protection standard:

符合欧盟 RoHS REACH 标准 Comply with the EU RoHS, REACH

Pin 数 Pin Number	定购料号 Part Number	DIM A	DIM B	DIM C	DIM D	DIM E	DIM F	DIM G
10	8.58A0.010200	9.90	7.16	4.50	5.50	7.10	7.00	10.60
15	8.58A0.015200	12.40	9.66	7.00	8.00	9.60	9.50	13.10
20	8.58A0.020200	14.90	12.16	9.50	10.50	12.10	12.00	15.60
28	8.58A0.028200	18.90	16.16	13.50	14.50	16.10	16.00	19.60
30	8.58A0.030200	19.90	17.16	14.50	15.50	17.10	17.00	20.60
40	8.58A0.040200	24.90	22.16	19.50	20.50	22.10	22.00	25.60
45	8.58A0.045200	27.40	24.66	22.00	23.00	24.60	24.50	28.10
50	8.58A0.050200	29.90	27.16	24.50	25.50	27.10	27.00	30.60
55	8.58A0.055200	32.40	29.66	27.00	28.00	29.60	29.50	33.10
60	8.58A0.060200	34.90	32.16	29.50	30.50	32.10	32.00	35.60
64	8.58A0.064200	36.90	34.16	31.50	32.50	34.10	34.00	37.60
68	8.58A0.068200	38.90	36.16	33.50	34.50	36.10	36.00	39.60
74	8.58A0.074200	41.90	39.16	36.50	37.50	39.10	39.00	42.60
100	8.58A0.100200	54.90	52.16	49.50	50.50	52.10	52.00	55.60

NO. OF POS.	DIM W	PCS/REEL
10~24 PIN	24.0	1500
25~34 PIN	32.0	1500
35~54 PIN	44.0	1500
55~76 PIN	56.0	1500
77~100 PIN	72.0	1500

Units: mm



1.0mm 间距下接触沉板式FFC/FPC 连接器(H=4.35mm)

Pitch 1.0mm, Bottom Contact, Mid-mount, Rear Flip FFC/FPC Connector(H=4.35mm)

商品系列号 : **8.36A0**
Product Series Number

主要技术参数 Main technical parameters

使用温度 Operating Temperature: -40 ~ +105°C
 额定电压 Rating Voltage: 50V(AC/DC)
 额定电流 Rating Current: 0.5A/PIN
 接触阻抗 Contact Resistance: 50mΩ Max
 绝缘阻抗 Insulation Resistance: 100MΩ Min
 插拔耐久性 Durability: 20 Times/Min

材料 Material

主体 Housing: LCP Natural UL94V-0
 锁扣 Cover: LCP Black UL94V-0
 端子 Terminal: Copper Alloy Plating: Au
 定位片 Stator: Copper Alloy Plating: Tin
 触点类型 Contact Type: Bottom Contact

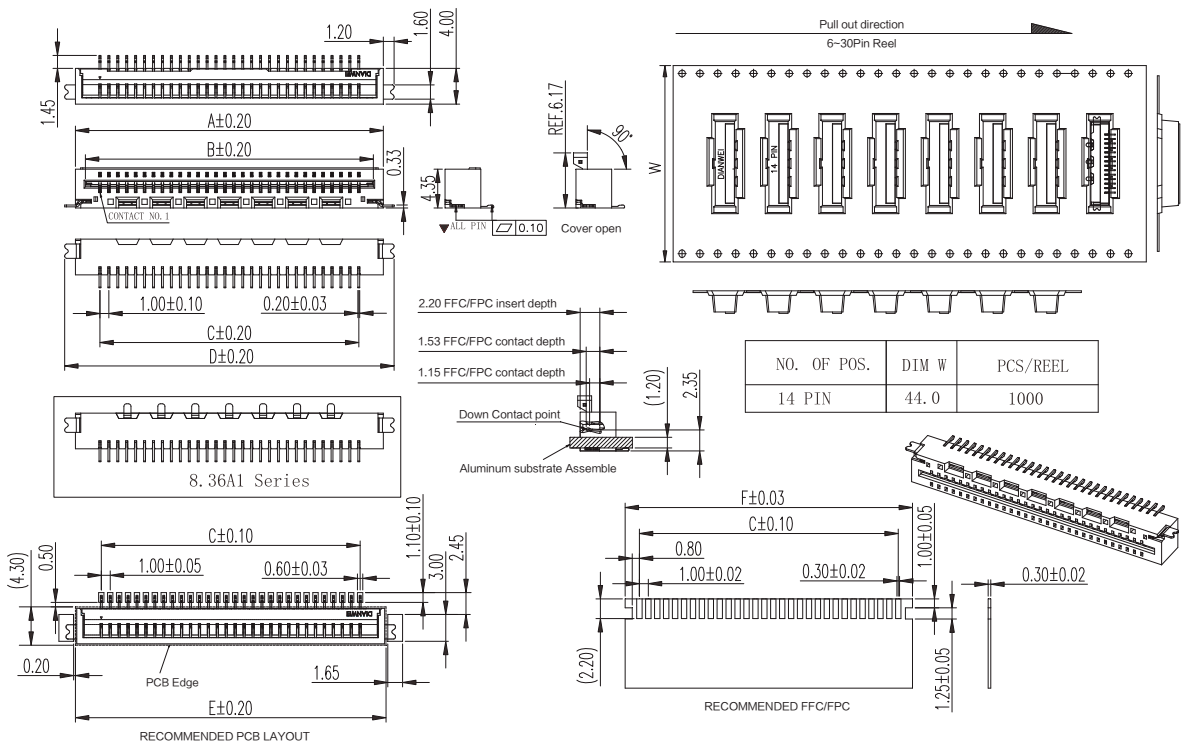


环保标准 Environmental protection standard:

符合欧盟 RoHS REACH 标准 Comply with the EU RoHS, REACH

Pin 数 Pin Number	定购料号 Part Number	DIM A	DIM B	DIM C	DIM D	DIM E	DIM F
6	8.36A0.006200	10.50	8.26	5.00	12.90	10.80	8.20
12	8.36A0.012200	16.50	14.26	11.00	18.90	16.80	14.20
14	8.36A0.014200	18.50	16.26	13.00	20.90	18.80	16.20
18	8.36A0.018200	22.50	20.26	17.00	24.90	22.80	20.20
26	8.36A0.026200	30.50	28.26	25.00	32.90	30.80	28.20
30	8.36A0.030200	34.50	32.26	29.00	36.90	34.80	32.20

Units: mm



◎ 主要技术参数 Main technical parameters

使用温度 Operating Temperature: -40 ~ +85°C
 额定电压 Rating Voltage: 50V(AC/DC)
 额定电流 Rating Current: 0.5A/PIN
 接触阻抗 Contact Resistance: 50mΩ Max
 绝缘阻抗 Insulation Resistance: 500MΩ Min
 插拔耐久性 Durability: 20 Times/Min

◎ 材料 Material

主体 Housing: LCP Natural UL94V-0
 锁扣 Cover: LCP Black UL94V-0
 端子 Terminal: Copper Alloy Plating: Au or Tin
 定位片 Stator: Copper Alloy Plating: Tin
 触点类型 Contact Type: Bottom Contact



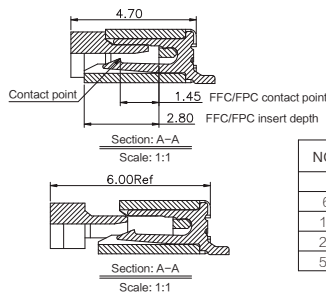
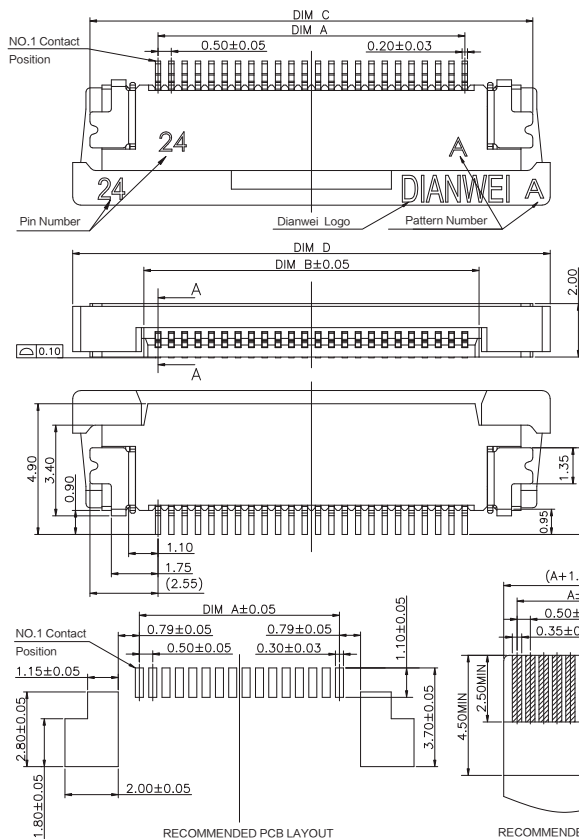
◎ 环保标准 Environmental protection standard:

符合欧盟 RoHS REACH 标准 Comply with the EU RoHS, REACH

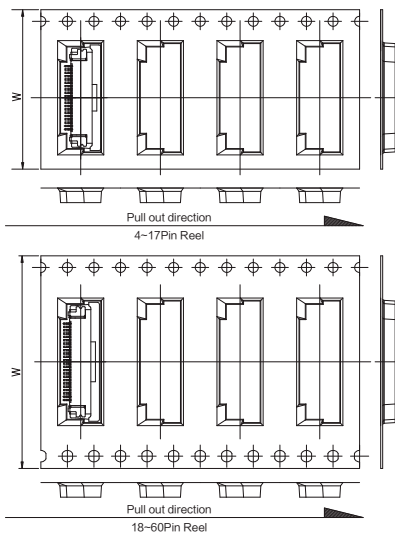
Pin 数 Pin Number	定购料号 Part Number	DIM A	DIM B	DIM C	DIM D
4	8.13A0.004200	1.50	2.56	6.60	7.90
5	8.13A0.005200	2.00	3.06	7.10	8.40
6	8.13A0.006200	2.50	3.56	7.60	8.90
8	8.13A0.008200	3.50	4.56	8.60	9.90
9	8.13A0.009200	4.00	5.06	9.10	10.40
10	8.13A0.010200	4.50	5.56	9.60	10.90
12	8.13A0.012200	5.50	6.56	10.60	11.90
13	8.13A0.013200	6.00	7.06	11.10	12.40
14	8.13A0.014200	6.50	7.56	11.60	12.90
15	8.13A0.015200	7.00	8.06	12.10	13.40
16	8.13A0.016200	7.50	8.56	12.60	13.90
18	8.13A0.018200	8.50	9.56	13.60	14.90
20	8.13A0.020200	9.50	10.56	14.60	15.90
22	8.13A0.022200	10.50	11.56	15.60	16.90
24	8.13A0.024200	11.50	12.56	16.60	17.90
26	8.13A0.026200	12.50	13.56	17.60	18.90

Pin 数 Pin Number	定购料号 Part Number	DIM A	DIM B	DIM C	DIM D
28	8.13A0.028200	13.50	14.56	18.60	19.90
30	8.13A0.030200	14.50	15.56	19.60	20.90
32	8.13A0.032200	15.50	16.56	20.60	21.90
34	8.13A0.034200	16.50	17.56	21.60	22.90
35	8.13A0.035200	17.00	18.06	22.10	23.40
36	8.13A0.036200	17.50	18.56	22.60	23.90
40	8.13A0.040200	19.50	20.56	24.60	25.90
41	8.13A0.041200	20.00	21.06	25.10	26.40
42	8.13A0.042200	20.50	21.56	25.60	26.90
45	8.13A0.045200	22.00	23.06	27.10	28.40
50	8.13A0.050200	24.50	25.56	29.60	30.90
51	8.13A0.051200	25.00	26.06	30.10	31.40
52	8.13A0.052200	25.50	26.56	30.60	31.90
54	8.13A0.054200	26.50	27.56	31.60	32.90
55	8.13A0.055200	27.00	28.06	32.10	33.40
60	8.13A0.060200	29.50	30.56	34.60	35.90

Units: mm



NO.OF POS.	DIM W	PCS/REEL
4-5 PIN	16.0	2000
6-17 PIN	24.0	2000
18-27 PIN	32.0	2000
28-51 PIN	44.0	2000
52-60 PIN	56.0	2000



0.5mm 间距上接触卧式FFC/FPC 连接器(H=2.0mm) Pitch 0.5mm, Top Contact, Horizontal FFC/FPC Connector(H=2.0mm)

商品系列号 : **8.23A0**
Product Series Number

主要技术参数 Main technical parameters

使用温度 Operating Temperature: -40 ~ +85°C
 额定电压 Rating Voltage: 50V(AC/DC)
 额定电流 Rating Current: 0.5A/PIN
 接触阻抗 Contact Resistance: 50mΩ Max
 绝缘阻抗 Insulation Resistance: 500MΩ Min
 插拔耐久性 Durability: 20 Times/Min

材料 Material

主体 Housing: LCP Natural UL94V-0
 锁扣 Cover: LCP Black UL94V-0
 端子 Terminal: Copper Alloy Plating: Au or Tin
 定位片 Stator: Copper Alloy Plating: Tin
 触点类型 Contact Type: Top Contact



环保标准 Environmental protection standard:

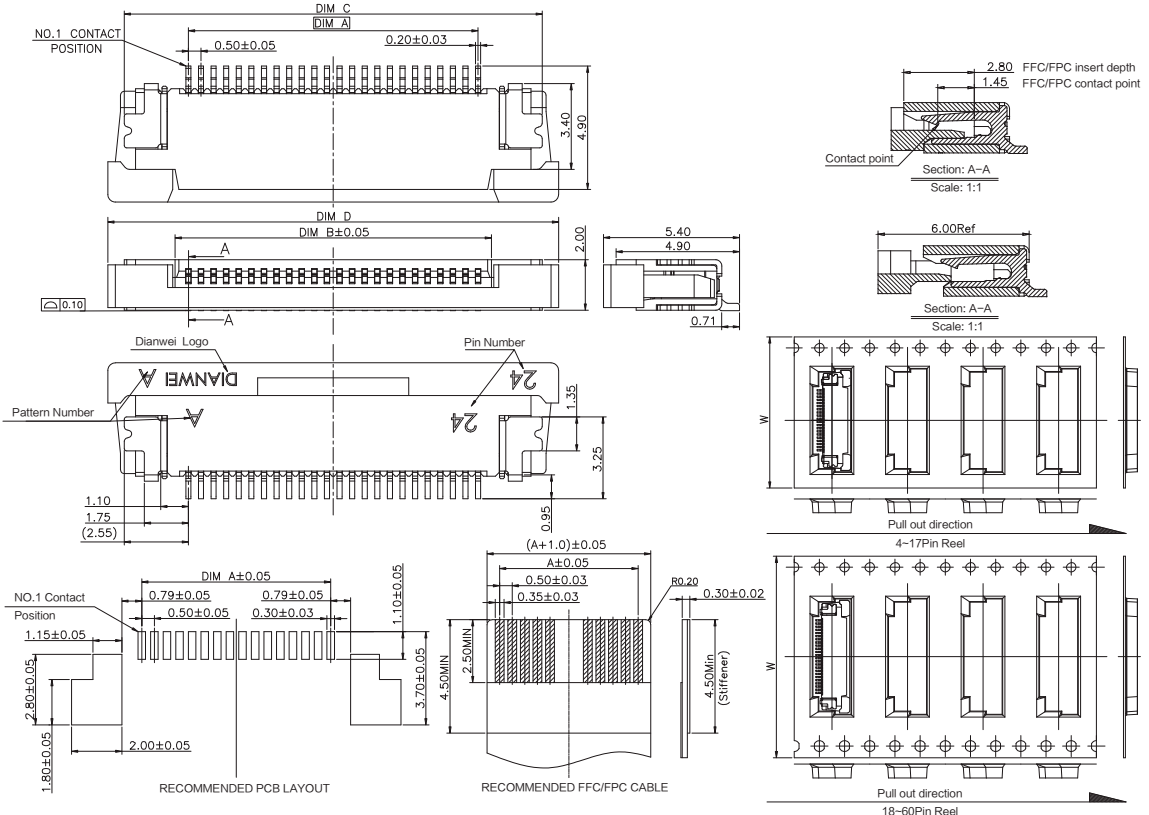
符合欧盟 RoHS REACH 标准 Comply with the EU RoHS, REACH

Pin 数 Pin Number	定购料号 Part Number	DIM A	DIM B	DIM C	DIM D
4	8.23A0.004200	1.50	2.56	6.60	7.90
5	8.23A0.005200	2.00	3.06	7.10	8.40
6	8.23A0.006200	2.50	3.56	7.60	8.90
8	8.23A0.008200	3.50	4.56	8.60	9.90
9	8.23A0.009200	4.00	5.06	9.10	10.40
10	8.23A0.010200	4.50	5.56	9.60	10.90
12	8.23A0.012200	5.50	6.56	10.60	11.90
13	8.23A0.013200	6.00	7.06	11.10	12.40
14	8.23A0.014200	6.50	7.56	11.60	12.90
15	8.23A0.015200	7.00	8.06	12.10	13.40
16	8.23A0.016200	7.50	8.56	12.60	13.90
18	8.23A0.018200	8.50	9.56	13.60	14.90
20	8.23A0.020200	9.50	10.56	14.60	15.90
22	8.23A0.022200	10.50	11.56	15.60	16.90
24	8.23A0.024200	11.50	12.56	16.60	17.90
26	8.23A0.026200	12.50	13.56	17.60	18.90

Pin 数 Pin Number	定购料号 Part Number	DIM A	DIM B	DIM C	DIM D
28	8.23A0.028200	13.50	14.56	18.60	19.90
30	8.23A0.030200	14.50	15.56	19.60	20.90
32	8.23A0.032200	15.50	16.56	20.60	21.90
34	8.23A0.034200	16.50	17.56	21.60	22.90
35	8.23A0.035200	17.00	18.06	22.10	23.40
36	8.23A0.036200	17.50	18.56	22.60	23.90
40	8.23A0.040200	19.50	20.56	24.60	25.90
41	8.23A0.041200	20.00	21.06	25.10	26.40
42	8.23A0.042200	20.50	21.56	25.60	26.90
45	8.23A0.045200	22.00	23.06	27.10	28.40
50	8.23A0.050200	24.50	25.56	29.60	30.90
51	8.23A0.051200	25.00	26.06	30.10	31.40
52	8.23A0.052200	25.50	26.56	30.60	31.90
54	8.23A0.054200	26.50	27.56	31.60	32.90
55	8.23A0.055200	27.00	28.06	32.10	33.40
60	8.23A0.060200	29.50	30.56	34.60	35.90

NO.OF POS.	DIM W	PCS/REEL
4-5 PIN	16.0	2000
6-17 PIN	24.0	2000
18-27 PIN	32.0	2000
28-51 PIN	44.0	2000
52-60 PIN	56.0	2000

Units: mm



◎ 主要技术参数 Main technical parameters

使用温度 Operating Temperature: -40 ~ +85°C
 额定电压 Rating Voltage: 50V(AC/DC)
 额定电流 Rating Current: 0.5A/PIN
 接触阻抗 Contact Resistance: 50mΩ Max
 绝缘阻抗 Insulation Resistance: 500MΩ Min
 插拔耐久性 Durability: 20 Times/Min

◎ 材料 Material

主体 Housing: LCP Natural UL94V-0
 锁扣 Cover: LCP Black UL94V-0
 端子 Terminal: Copper Alloy Plating: Au
 定位片 Stator: Copper Alloy Plating: Tin
 触点类型 Contact Type: Side Contact



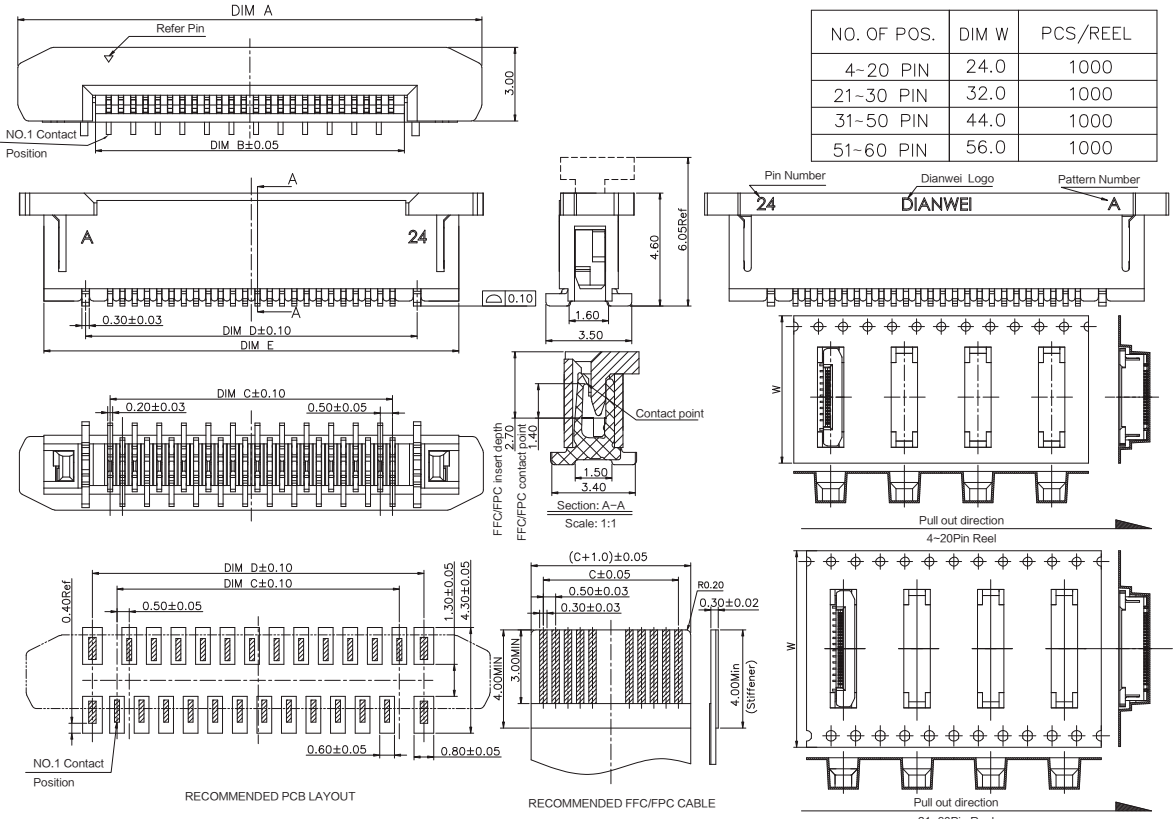
◎ 环保标准 Environmental protection standard:

符合欧盟 RoHS REACH 标准 Comply with the EU RoHS, REACH

Pin 数 Pin Number	订购料号 Part Number	DIM A	DIM B	DIM C	DIM D	DIM E
4	8.12A0.004200	8.90	2.58	1.50	3.50	6.90
5	8.12A0.005200	9.40	3.08	2.00	4.00	7.40
6	8.12A0.006200	9.90	3.58	2.50	4.50	7.90
8	8.12A0.008200	10.90	4.58	3.50	5.50	8.90
9	8.12A0.009200	11.40	5.08	4.00	6.00	9.40
10	8.12A0.010200	11.90	5.58	4.50	6.50	9.90
12	8.12A0.012200	12.90	6.58	5.50	7.50	10.90
14	8.12A0.014200	13.90	7.58	6.50	8.50	11.90
15	8.12A0.015200	14.40	8.08	7.00	9.00	12.40
16	8.12A0.016200	14.90	8.58	7.50	9.50	12.90
18	8.12A0.018200	15.90	9.58	8.50	10.50	13.90
20	8.12A0.020200	16.90	10.58	9.50	11.50	14.90
22	8.12A0.022200	17.90	11.58	10.50	12.50	15.90
24	8.12A0.024200	18.90	12.58	11.50	13.50	16.90

Pin 数 Pin Number	订购料号 Part Number	DIM A	DIM B	DIM C	DIM D	DIM E
26	8.12A0.026200	19.90	13.58	12.50	14.50	17.90
28	8.12A0.028200	20.90	14.58	13.50	15.50	18.90
30	8.12A0.030200	21.90	15.58	14.50	16.50	19.90
32	8.12A0.032200	22.90	16.58	15.50	17.50	20.90
34	8.12A0.034200	23.90	17.58	16.50	18.50	21.90
35	8.12A0.035200	24.40	18.08	17.00	19.00	22.40
36	8.12A0.036200	24.90	18.58	17.50	19.50	22.90
40	8.12A0.040200	26.90	20.58	19.50	21.50	24.90
42	8.12A0.042200	27.90	21.58	20.50	22.50	25.90
50	8.12A0.050200	31.90	25.58	24.50	26.50	29.90
52	8.12A0.052200	32.90	26.58	25.50	27.50	30.90
54	8.12A0.054200	33.90	27.58	26.50	28.50	31.90
55	8.12A0.055200	34.40	28.08	27.00	29.00	32.40
60	8.12A0.060200	36.90	30.58	29.50	31.50	34.90

Units: mm



NO. OF POS.	DIM W	PCS/REEL
4~20 PIN	24.0	1000
21~30 PIN	32.0	1000
31~50 PIN	44.0	1000
51~60 PIN	56.0	1000

立式 FAKRA 公头射频同轴连接器 Vertical FAKRA(Male) Connector

商品系列号: **7.03A1**
Product Series Number

电气特性 Electrical Feature

额定电流 Rated Current: 1A
 额定电压 Rated Voltage: 60V DC
 耐电压 Withstanding Voltage: 500V
 绝缘阻抗 Insulation Resistance: 1000MΩ
 工作温度 Operation Temperature: -40℃~105℃
 驻波比VSWR: 0~3GHz 1.28Max;
 3~6GHz 1.58Max

材料 Material

外导体 Outer Conductor: Zinc Alloy
 中心导体 Center Conductor: Copper Alloy
 绝缘体 Dielectric: Thermoplastic
 壳体 Plastic Housings: Thermoplastic



机械特性 Mechanical feature

插拔次数 Mating cycles ≥ 25times
 插入力 Mating force ≤ 25N
 中心导体保持力 De-mating force ≤ 2N
 锁扣保持力 Retention force latch ≥ 110N

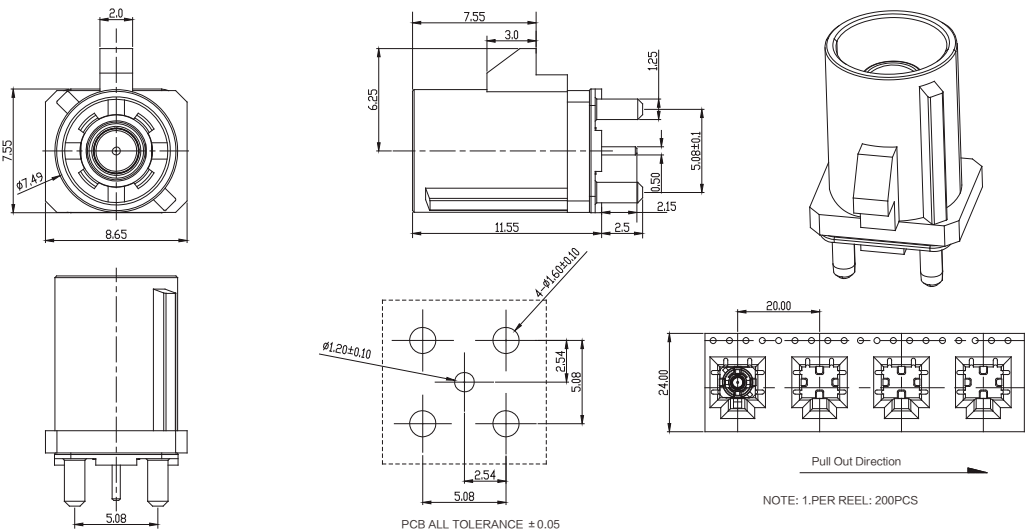
应用 Application

GPS, Radio, Digital terrestrial TV, Bluetooth, FM
 360全景 Surround view
 T-BOX
 雷达探测 Radar detection

参考标准 Reference Standard

ISO20860-1
 SAE/USCAR
 SAE/USCAR-17
 SAE/USCAR-18

Units: mm



序号 NO.	1	2	3	4	5	6	7
类型 TYPE							
	A TYPE	B TYPE	C TYPE	D TYPE	E TYPE	F TYPE	G TYPE
定购料号 P/NO.	7.03A1.000820-A	7.03A1.000821-B	7.03A1.000822-C	7.03A1.000823-D	7.03A1.000824-E	7.03A1.000825-F	7.03A1.000826-G
颜色 COLOR	Black/9005	White/9001	Blue/5005	Bordeaux/4004	Green/6002	Brown/8011	Grey/7031
序号 NO.	8	9	10	11	12	13	14
类型 TYPE							
	H TYPE	I TYPE	K TYPE	L TYPE	M TYPE	N TYPE	Z TYPE
定购料号 P/NO.	7.03A1.000827-H	7.03A1.000828-I	7.03A1.000829-K	7.03A1.00082A-L	7.03A1.00082B-M	7.03A1.00082C-N	7.03A1.00082D-Z
颜色 COLOR	Violet/4003	Beige/1001	Curry/1027	Camine Red/3002	Pastel Orange/2003	Pastel Green/6019	Water Blue/5021

电气特性 Electrical Feature

额定电流 Rated Current: 1A
 额定电压 Rated Voltage: 60V DC
 耐电压 Withstanding Voltage: 500V
 绝缘阻抗 Insulation Resistance: 1000MΩ
 工作温度 Operation Temperature: -40℃~105℃
 驻波比VSWR: 0~3GHz 1.28Max;
 3~6GHz 1.58Max

材料 Material

外导体 Outer Conductor: Zinc Alloy
 中心导体 Center Conductor: Copper Alloy
 绝缘体 Dielectric: Thermoplastic
 壳体 Plastic Housings: Thermoplastic



机械特性 Mechanical feature

插拔次数 Mating cycles ≥ 25times
 插入力 Mating force ≤ 25N
 中心导体保持力 De-mating force ≥ 2N
 锁扣保持力 Retention force latch ≥ 110N

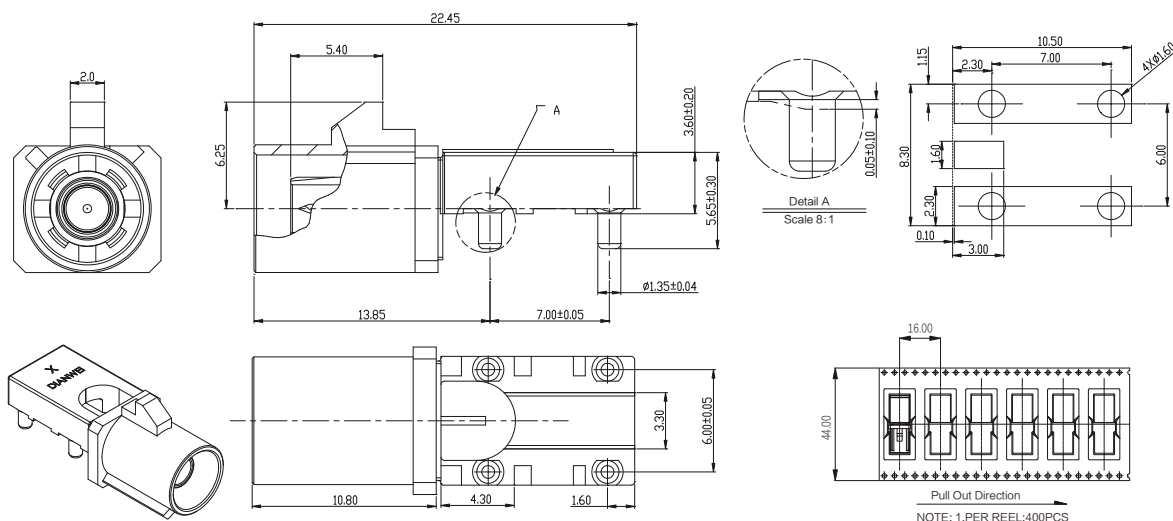
应用 Application

GPS, Radio, Digital terrestrial TV, Bluetooth, FM
 360全景 Surround view
 T-BOX
 雷达探测 Radar detection

参考标准 Reference Standard

ISO20860-1
 SAE/USCAR
 SAE/USCAR-17
 SAE/USCAR-18

Units: mm



序号 NO.	1	2	3	4	5	6	7
类型 TYPE							
	A TYPE	B TYPE	C TYPE	D TYPE	E TYPE	F TYPE	G TYPE
订购料号 P/NO.	7.03A0.000820-A	7.03A0.000821-B	7.03A0.000822-C	7.03A0.000823-D	7.03A0.000824-E	7.03A0.000825-F	7.03A0.000826-G
颜色 COLOR	Black/9005	White/9001	Blue/5005	Bordeaux/4004	Green/6002	Brown/8011	Grey/7031
序号 NO.	8	9	10	11	12	13	14
类型 TYPE							
	H TYPE	I TYPE	K TYPE	L TYPE	M TYPE	N TYPE	Z TYPE
订购料号 P/NO.	7.03A0.000827-H	7.03A0.000828-I	7.03A0.000829-K	7.03A0.00082A-L	7.03A0.00082B-M	7.03A0.00082C-N	7.03A0.00082D-Z
颜色 COLOR	Violet/4003	Beige/1001	Curry/1027	Camine Red/3002	Pastel Orange/2003	Pastel Green/6019	Water Blue/5021

卧式 FAKRA 公头射频同轴连接器 Horizontal FAKRA(Male) Connector

商品系列号：**7.03A2**
Product Series Number

电气特性 Electrical Feature

额定电流 Rated Current: 1A
 额定电压 Rated Voltage: 60V DC
 耐电压 Withstanding Voltage: 500V
 绝缘阻抗 Insulation Resistance: 1000MΩ
 工作温度 Operation Temperature: -40℃~105℃
 驻波比VSWR: 0~3GHz 1.28Max;
 3~6GHz 1.58Max

材料 Material

外导体 Outer Conductor: Zinc Alloy
 中心导体 Center Conductor: Copper Alloy
 绝缘体 Dielectric: Thermoplastic
 壳体 Plastic Housings: Thermoplastic



机械特性 Mechanical feature

插拔次数 Mating cycles ≥ 25times
 插入力 Mating force ≤ 25N
 中心导体保持力 De-mating force ≥ 2N
 锁扣保持力 Retention force latch ≥ 110N

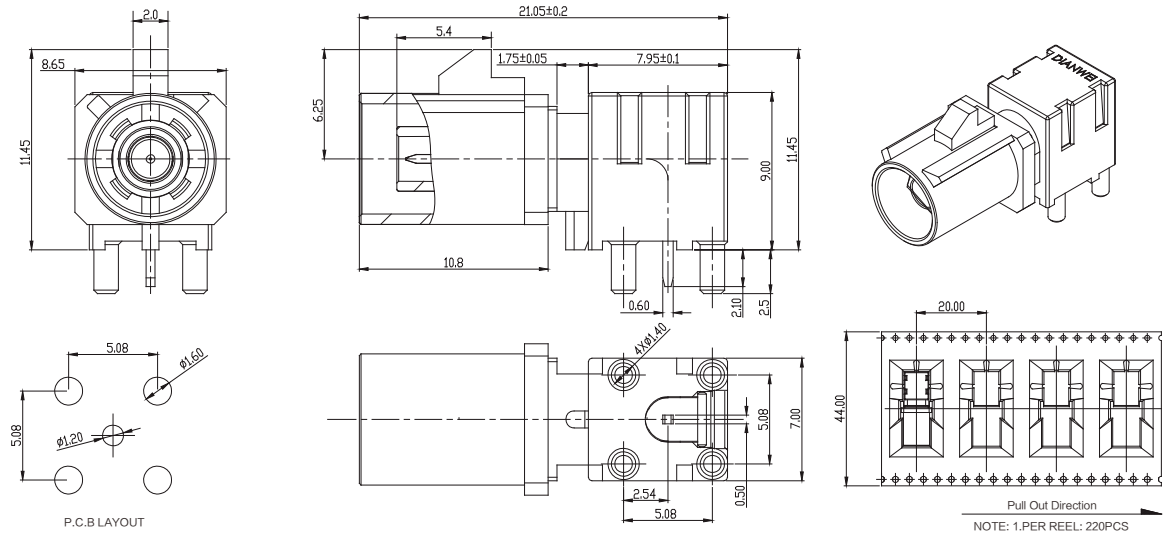
应用 Application

GPS, Radio, Digital terrestrial TV, Bluetooth, FM
 360全景 Surround view
 T-BOX
 雷达探测 Radar detection

参考标准 Reference Standard

ISO20860-1
 SAE/USCAR
 SAE/USCAR-17
 SAE/USCAR-18

Units: mm



序号 NO.	1	2	3	4	5	6	7
类型 TYPE							
	A TYPE	B TYPE	C TYPE	D TYPE	E TYPE	F TYPE	G TYPE
定购料号 P/NO.	7.03A2.000820-A	7.03A2.000821-B	7.03A2.000822-C	7.03A2.000823-D	7.03A2.000824-E	7.03A2.000825-F	7.03A2.000826-G
颜色 COLOR	Black/9005	White/9001	Blue/5005	Bordeaux/4004	Green/6002	Brown/8011	Grey/7031
序号 NO.	8	9	10	11	12	13	14
类型 TYPE							
	H TYPE	I TYPE	K TYPE	L TYPE	M TYPE	N TYPE	Z TYPE
定购料号 P/NO.	7.03A2.000827-H	7.03A2.000828-I	7.03A2.000829-K	7.03A2.00082A-L	7.03A2.00082B-M	7.03A2.00082C-N	7.03A2.00082D-Z
颜色 COLOR	Violet/4003	Beige/1001	Curry/1027	Camine Red/3002	Pastel Orange/2003	Pastel Green/6019	Water Blue/5021

◎ 电气特性 Electrical Feature

额定电流 Rated Current: 1A
 额定电压 Rated Voltage: 60V DC
 耐电压 Withstanding Voltage: 500V
 绝缘阻抗 Insulation Resistance: 1000MΩ
 工作温度 Operation Temperature: -40℃~105℃
 驻波比VSWR: 0-3GHz 1.28Max;
 3-6GHz 1.58Max

◎ 材料 Material

外导体 Outer Conductor: Zinc Alloy
 中心导体 Center Conductor: Copper Alloy
 绝缘体 Dielectric: Thermoplastic
 壳体 Plastic Housings: Thermoplastic



◎ 机械特性 Mechanical feature

插拔次数 Mating cycles ≥ 25times
 插入力 Mating force ≤ 25N
 中心导体保持力 De-mating force ≥ 2N
 锁扣保持力 Retention force latch ≥ 110N

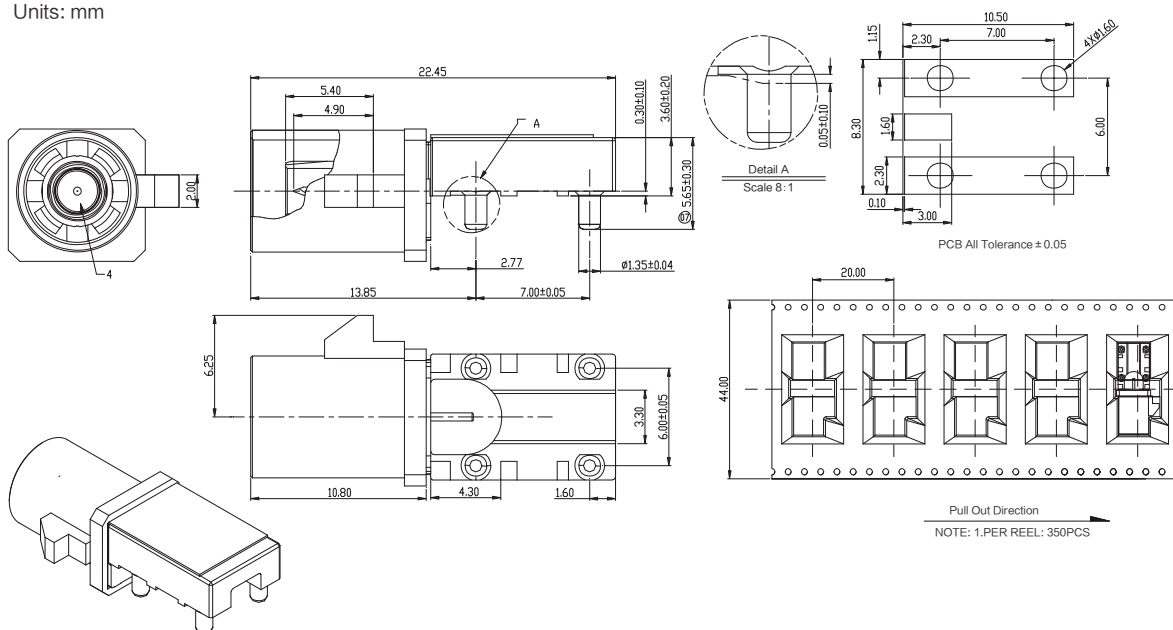
◎ 应用 Application

GPS, Radio, Digital terrestrial TV, Bluetooth, FM
 360全景 Surround view
 T-BOX
 雷达探测 Radar detection

◎ 参考标准 Reference Standard

ISO20860-1
 SAE/USCAR
 SAE/USCAR-17
 SAE/USCAR-18

Units: mm



序号 NO.	1	2	3	4	5	6	7
类型 TYPE							
	A TYPE	B TYPE	C TYPE	D TYPE	E TYPE	F TYPE	G TYPE
订购料号 P/NO.	7.03AD.00082A	7.03AD.00082B	7.03AD.00082C	7.03AD.00082D	7.03AD.00082E	7.03AD.00082F	7.03AD.00082G
颜色 COLOR	Black/9005	White/9001	Blue/5005	Bordeaux/4004	Green/6002	Brown/8011	Grey/7031
序号 NO.	8	9	10	11	12	13	14
类型 TYPE							
	H TYPE	I TYPE	K TYPE	L TYPE	M TYPE	N TYPE	Z TYPE
订购料号 P/NO.	7.03AD.00082H	7.03AD.00082I	7.03AD.00082K	7.03AD.00082L	7.03AD.00082M	7.03AD.00082N	7.03AD.00082Z
颜色 COLOR	Violet/4003	Beige/1001	Curry/1027	Camine Red/3002	Pastel Orange/2003	Pastel Green/6019	Water Blue/5021

卧式 FAKRA 90度公头射频同轴连接器

90° Horizontal FAKRA(Male) Connector

商品系列号: **7.03AG**
Product Series Number

电气特性 Electrical Feature

额定电流 Rated Current: 1A
 额定电压 Rated Voltage: 60V DC
 耐电压 Withstanding Voltage: 500V
 绝缘阻抗 Insulation Resistance: 1000MΩ
 工作温度 Operation Temperature: -40℃~105℃
 驻波比VSWR: 0~3GHz 1.28Max;
 3~6GHz 1.58Max

材料 Material

外导体 Outer Conductor: Zinc Alloy
 中心导体 Center Conductor: Copper Alloy
 绝缘体 Dielectric: Thermoplastic
 壳体 Plastic Housings: Thermoplastic



机械特性 Mechanical feature

插拔次数 Mating cycles ≥ 25times
 插入力 Mating force ≤ 25N
 中心导体保持力 De-mating force ≥ 2N
 锁扣保持力 Retention force latch ≥ 110N

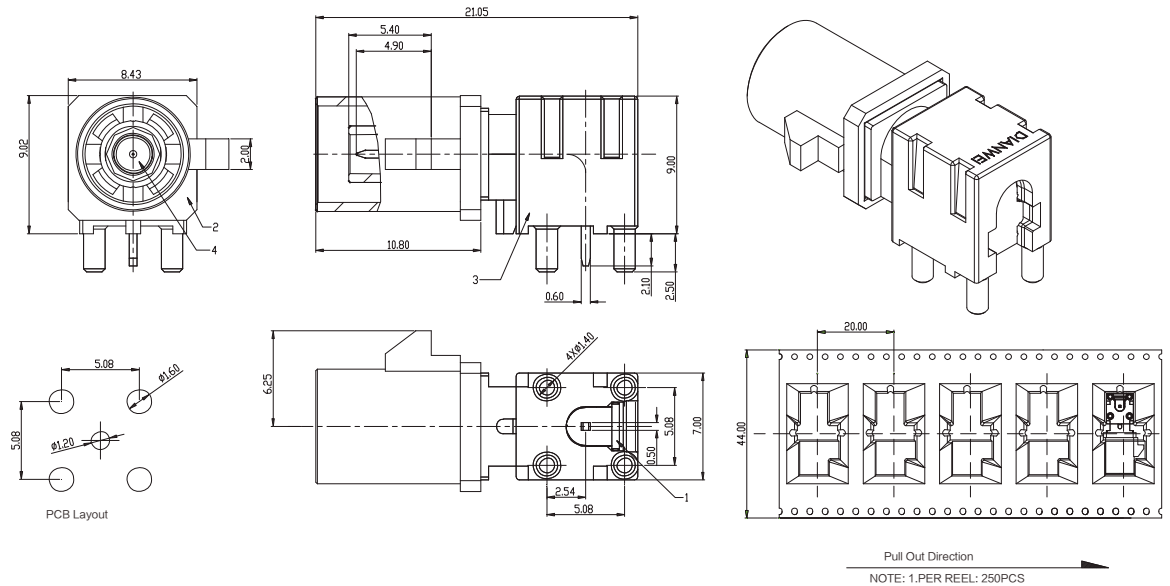
应用 Application

GPS, Radio, Digital terrestrial TV, Bluetooth, FM
 360全景 Surround view
 T-BOX
 雷达探测 Radar detection

参考标准 Reference Standard

ISO20860-1
 SAE/USCAR
 SAE/USCAR-17
 SAE/USCAR-18

Units: mm



序号 NO.	1	2	3	4	5	6	7
类型 TYPE							
	A TYPE	B TYPE	C TYPE	D TYPE	E TYPE	F TYPE	G TYPE
定购料号 P/NO.	7.03AG.00082A	7.03AG.00082B	7.03AG.00082C	7.03AG.00082D	7.03AG.00082E	7.03AG.00082F	7.03AG.00082G
颜色 COLOR	Black/9005	White/9001	Blue/5005	Bordeaux/4004	Green/6002	Brown/8011	Grey/7031
序号 NO.	8	9	10	11	12	13	14
类型 TYPE							
	H TYPE	I TYPE	K TYPE	L TYPE	M TYPE	N TYPE	Z TYPE
定购料号 P/NO.	7.03AG.00082H	7.03AG.00082I	7.03AG.00082K	7.03AG.00082L	7.03AG.00082M	7.03AG.00082N	7.03AG.00082Z
颜色 COLOR	Violet/4003	Beige/1001	Curry/1027	Camine Red/3002	Pastel Orange/2003	Pastel Green/6019	Water Blue/5021

◎ 电气特性 Electrical Feature

额定电流 Rated Current: 1A
 额定电压 Rated Voltage: 60V DC
 耐电压 Withstanding Voltage: 500V
 绝缘阻抗 Insulation Resistance: 1000MΩ
 工作温度 Operation Temperature: -40℃~105℃
 驻波比VSWR: 0~3GHz 1.28Max;
 3~6GHz 1.58Max

◎ 材料 Material

外导体 Outer Conductor: Copper Alloy
 中心导体 Center Conductor: Copper Alloy
 绝缘体 Dielectric: Thermoplastic
 壳体 Plastic Housings: Thermoplastic
 线夹 Wire Clamp: Copper Alloy



◎ 机械特性 Mechanical feature

插拔次数 Mating cycles ≥ 25times
 插入力 Mating force ≤ 25N
 中心导体保持力 De-mating force ≥ 2N
 锁扣保持力 Retention force latch ≥ 110N

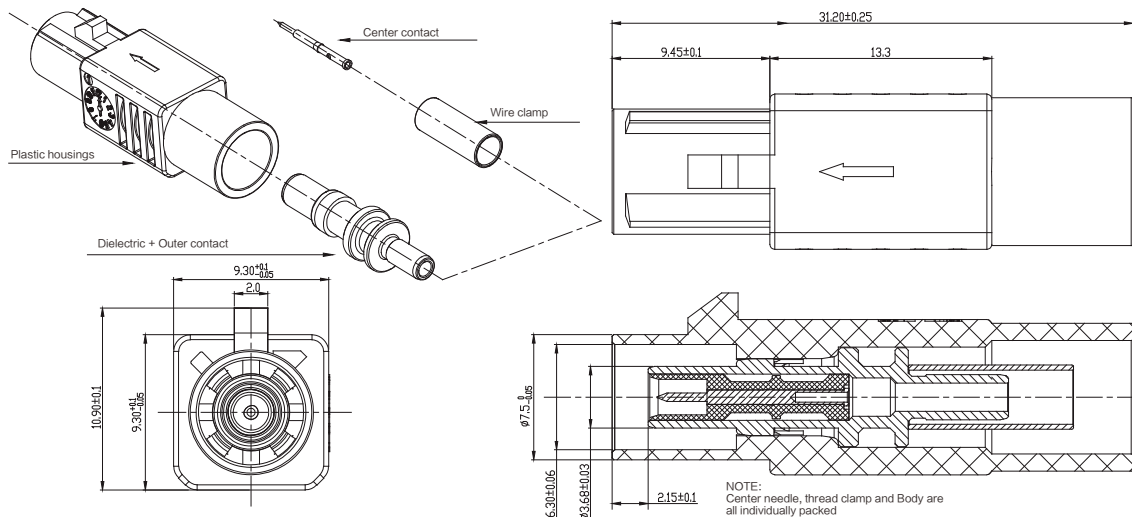
◎ 应用 Application

GPS, Radio, Digital terrestrial TV, Bluetooth, FM
 360全景 Surround view
 T-BOX
 雷达探测 Radar detection

◎ 参考标准 Reference Standard

ISO20860-1
 SAE/USCAR
 SAE/USCAR-17
 SAE/USCAR-18

装配后尺寸 Connector dimensions after Cable Assembly, Units: mm



适配线材 Suitable for: RG086, RG174, RG316

序号 NO.	1	2	3	4	5	6	7
类型 TYPE							
	A TYPE	B TYPE	C TYPE	D TYPE	E TYPE	F TYPE	G TYPE
订购料号 P/NO.	7.03A3.001010-A	7.03A3.001011-B	7.03A3.001012-C	7.03A3.001013-D	7.03A3.001014-E	7.03A3.001015-F	7.03A3.001016-G
颜色 COLOR	Black/9005	White/9001	Blue/5005	Bordeaux/4004	Green/6002	Brown/8011	Grey/7031
序号 NO.	8	9	10	11	12	13	14
类型 TYPE							
	H TYPE	I TYPE	K TYPE	L TYPE	M TYPE	N TYPE	Z TYPE
订购料号 P/NO.	7.03A3.001017-H	7.03A3.001018-I	7.03A3.001019-K	7.03A3.00101A-L	7.03A3.00101B-M	7.03A3.00101C-N	7.03A3.00101D-Z
颜色 COLOR	Violet/4003	Beige/1001	Curry/1027	Camine Red/3002	Pastel Orange/2003	Pastel Green/6019	Water Blue/5021

非防水 FAKRA 母头射频同轴线束或连接器 Non-Waterproof FAKRA(Female) Harness/Connector

商品系列号: **7.03A4**
Product Series Number



电气特性 Electrical Feature

额定电流 Rated Current: 1A
 额定电压 Rated Voltage: 60V DC
 耐电压 Withstanding Voltage: 500V
 绝缘阻抗 Insulation Resistance: 1000MΩ
 工作温度 Operation Temperature: -40℃~105℃
 驻波比VSWR: 0~3GHz 1.28Max;
 3~6GHz 1.58Max

材料 Material

外导体 Outer Conductor: Copper Alloy
 中心导体 Center Conductor: Copper Alloy
 绝缘体 Dielectric: Thermoplastic
 壳体 Plastic Housings: Thermoplastic
 线夹 Wire Clamp: Copper Alloy

机械特性 Mechanical feature

插拔次数 Mating cycles ≥ 25times
 插入力 Mating force ≤ 25N
 中心导体保持力 De-mating force ≥ 2N
 锁扣保持力 Retention force latch ≥ 110N

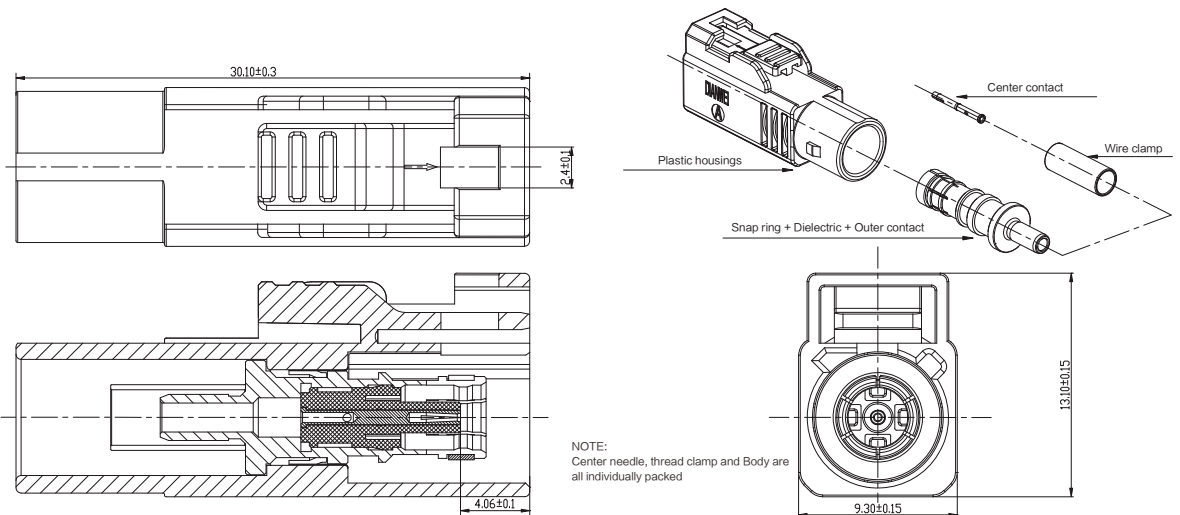
应用 Application

GPS, Radio, Digital terrestrial TV, Bluetooth, FM
 360全景 Surround view
 T-BOX
 雷达探测 Radar detection

参考标准 Reference Standard

ISO20860-1
 SAE/USCAR
 SAE/USCAR-17
 SAE/USCAR-18

装配后尺寸 Connector dimensions after Cable Assembly, Units: mm



适配线材 Suitable for: RG086、RG174、RG316

序号 NO.	1	2	3	4	5	6	7
类型 TYPE							
	A TYPE	B TYPE	C TYPE	D TYPE	E TYPE	F TYPE	G TYPE
订购料号 P/NO.	7.03A4.001010-A	7.03A4.001011-B	7.03A4.001012-C	7.03A4.001013-D	7.03A4.001014-E	7.03A4.001015-F	7.03A4.001016-G
颜色 COLOR	Black/9005	White/9001	Blue/5005	Bordeaux/4004	Green/6002	Brown/8011	Grey/7031
序号 NO.	8	9	10	11	12	13	14
类型 TYPE							
	H TYPE	I TYPE	K TYPE	L TYPE	M TYPE	N TYPE	Z TYPE
订购料号 P/NO.	7.03A4.001017-H	7.03A4.001018-I	7.03A4.001019-K	7.03A4.00101A-L	7.03A4.00101B-M	7.03A4.00101C-N	7.03A4.00101D-Z
颜色 COLOR	Violet/4003	Beige/1001	Curry/1027	Camine Red/3002	Pastel Orange/2003	Pastel Green/6019	Water Blue/5021

◎ 电气特性 Electrical Feature

额定电流 Rated Current: 1A
 额定电压 Rated Voltage: 60V DC
 耐电压 Withstanding Voltage: 500V
 绝缘阻抗 Insulation Resistance: 1000MΩ
 工作温度 Operation Temperature: -40℃~105℃
 驻波比VSWR: 0~3GHz 1.28Max;
 3~6GHz 1.58Max

◎ 材料 Material

外导体 Outer Conductor: Copper Alloy
 中心导体 Center Conductor: Copper Alloy
 绝缘体 Dielectric: Thermoplastic
 壳体 Plastic Housings: Thermoplastic
 线夹 Wire Clamp: Copper Alloy
 封线体 Dense Body: Silicone Rubber
 尾盖 Tail Cap: Thermoplastic



◎ 机械特性 Mechanical feature

插拔次数 Mating cycles ≥ 25times
 插入力 Mating force ≤ 25N
 中心导体保持力 De-mating force ≥ 2N
 锁扣保持力 Retention force latch ≥ 110N
 防护等级 Protection grade: IP67

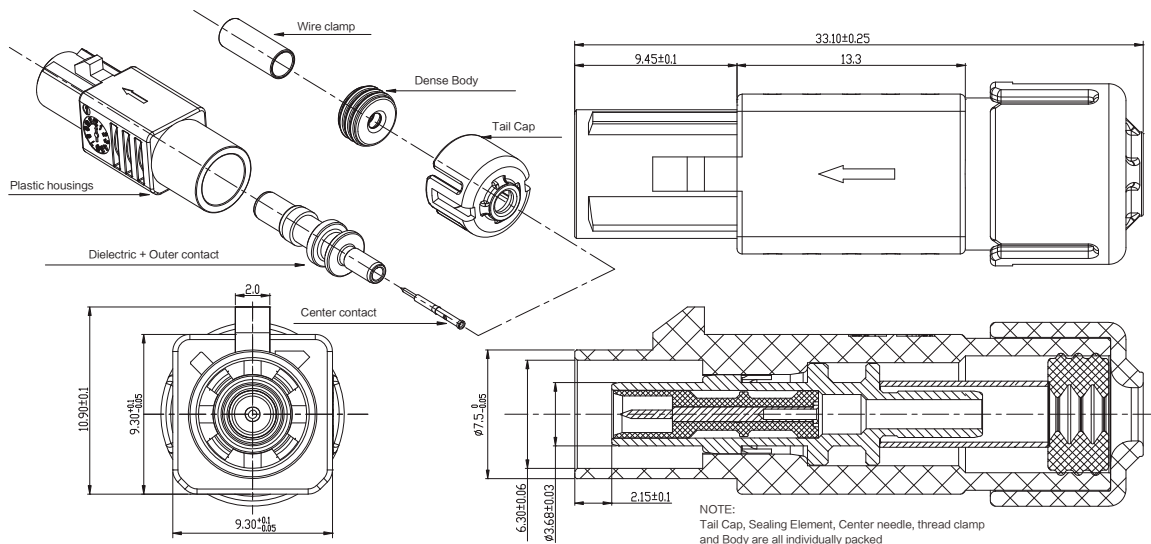
◎ 应用 Application

GPS, Radio, Digital terrestrial TV, Bluetooth, FM
 360全景 Surround view
 T-BOX
 雷达探测 Radar detection

◎ 参考标准 Reference Standard

ISO20860-1
 SAE/USCAR
 SAE/USCAR-17
 SAE/USCAR-18

装配后尺寸 Connector dimensions after Cable Assembly, Units: mm



适配线材 Suitable for: RG086, RG174, RG316

序号 NO.	1	2	3	4	5	6	7
类型 TYPE							
定购料号 P/NO.	7.03A7.001000-A	7.03A7.001001-B	7.03A7.001002-C	7.03A7.001003-D	7.03A7.001004-E	7.03A7.001005-F	7.03A7.001006-G
颜色 COLOR	Black/9005	White/9001	Blue/5005	Bordeaux/4004	Green/6002	Brown/8011	Grey/7031
序号 NO.	8	9	10	11	12	13	14
类型 TYPE							
定购料号 P/NO.	7.03A7.001007-H	7.03A7.001008-I	7.03A7.001009-K	7.03A7.00100A-L	7.03A7.00100B-M	7.03A7.00100C-N	7.03A7.00100D-Z
颜色 COLOR	Violet/4003	Beige/1001	Curry/1027	Camine Red/3002	Pastel Orange/2003	Pastel Green/6019	Water Blue/5021

防水 FAKRA 母头射频同轴线束或连接器 Waterproof FAKRA(Female) Harness/Connector

商品系列号: **7.03A8**
Product Series Number



电气特性 Electrical Feature

额定电流 Rated Current: 1A
 额定电压 Rated Voltage: 60V DC
 耐电压 Withstanding Voltage: 500V
 绝缘阻抗 Insulation Resistance: 1000MΩ
 工作温度 Operation Temperature: -40℃~105℃
 驻波比VSWR: 0-3GHz 1.28Max;
 3-6GHz 1.58Max

材料 Material

外导体 Outer Conductor: Copper Alloy
 中心导体 Center Conductor: Copper Alloy
 绝缘体 Dielectric: Thermoplastic
 壳体 Plastic Housings: Thermoplastic
 线夹 Wire Clamp: Copper Alloy
 密封圈 Sealing Ring: Silicone Rubber
 封线体 Dense Body: Silicone Rubber
 尾盖 Tail Cap: Thermoplastic

机械特性 Mechanical feature

插拔次数 Mating cycles ≥ 25times
 插入力 Mating force ≤ 25N
 中心导体保持力 De-mating force ≥ 2N
 锁扣保持力 Retention force latch ≥ 110N
 防护等级 Protection grade: IP67

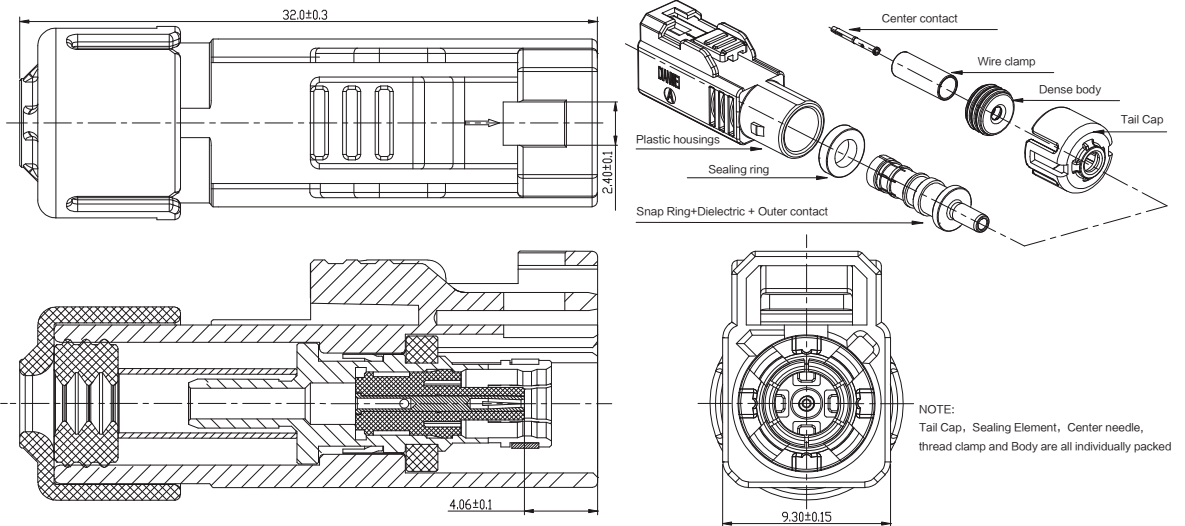
应用 Application

GPS, Radio, Digital terrestrial TV, Bluetooth, FM
 360全景 Surround view
 T-BOX
 雷达探测 Radar detection

参考标准 Reference Standard

ISO20860-1
 SAE/USCAR
 SAE/USCAR-17
 SAE/USCAR-18

装配后尺寸 Connector dimensions after Cable Assembly, Units: mm



适配线材 Suitable for: RG086、RG174、RG316

序号 NO.	1	2	3	4	5	6	7
类型 TYPE							
订购料号 P/NO.	7.03A8.001000-A	7.03A8.001001-B	7.03A8.001002-C	7.03A8.001003-D	7.03A8.001004-E	7.03A8.001005-F	7.03A8.001006-G
颜色 COLOR	Black/9005	White/9001	Blue/5005	Bordeaux/4004	Green/6002	Brown/8011	Grey/7031
序号 NO.	8	9	10	11	12	13	14
类型 TYPE							
订购料号 P/NO.	7.03A8.001007-H	7.03A8.001008-I	7.03A8.001009-K	7.03A8.00100A-L	7.03A8.00100B-M	7.03A8.00100C-N	7.03A8.00100D-Z
颜色 COLOR	Violet/4003	Beige/1001	Curry/1027	Camine Red/3002	Pastel Orange/2003	Pastel Green/6019	Water Blue/5021

◎ 电气特性 Electrical Feature

额定电流 Rated Current: 1A
 额定电压 Rated Voltage: 60V DC
 耐电压 Withstanding Voltage: 500V
 绝缘阻抗 Insulation Resistance: 1000MΩ
 工作温度 Operation Temperature: -40℃~105℃
 驻波比VSWR: 0-3GHz 1.28Max;
 3-6GHz 1.58Max

◎ 材料 Material

外导体 Outer Conductor: Copper Alloy
 中心导体 Center Conductor: Copper Alloy
 绝缘体 Dielectric: Thermoplastic
 壳体 Plastic Housings: Thermoplastic
 线夹 Wire Clamp: Copper Alloy



◎ 机械特性 Mechanical feature

插拔次数 Mating cycles ≥ 25times
 插入力 Mating force ≤ 25N
 中心导体保持力 De-mating force ≥ 2N
 锁扣保持力 Retention force latch ≥ 110N

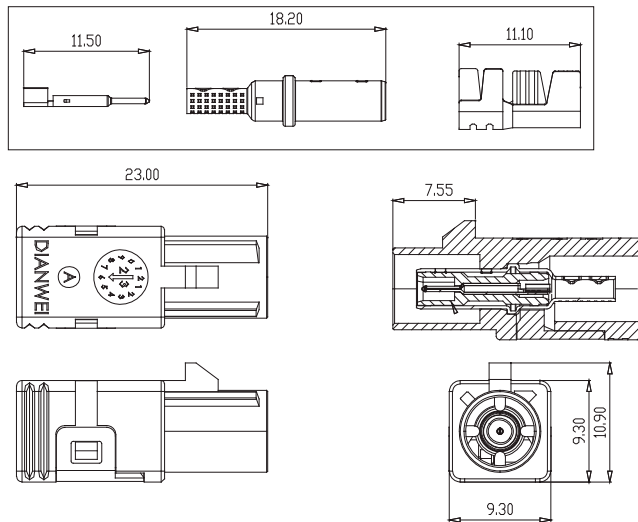
◎ 应用 Application

GPS, Radio, Digital terrestrial TV, Bluetooth, FM
 360全景 Surround view
 T-BOX
 雷达探测 Radar detection

◎ 参考标准 Reference Standard

ISO20860-1
 SAE/USCAR
 SAE/USCAR-17
 SAE/USCAR-18

装配后尺寸 Connector dimensions after Cable Assembly, Units: mm



适配线材 Siutable for: RG086、RG174、RG316

序号 NO.	1	2	3	4	5	6	7
类型 TYPE							
	A TYPE	B TYPE	C TYPE	D TYPE	E TYPE	F TYPE	G TYPE
订购料号 P/NO.	7.03A9.001010-A	7.03A9.001011-B	7.03A9.001012-C	7.03A9.001013-D	7.03A9.001014-E	7.03A9.001015-F	7.03A9.001016-G
颜色 COLOR	Black/9005	White/9001	Blue/5005	Bordeaux/4004	Green/6002	Brown/8011	Grey/7031
序号 NO.	8	9	10	11	12	13	14
类型 TYPE							
	H TYPE	I TYPE	K TYPE	L TYPE	M TYPE	N TYPE	Z TYPE
订购料号 P/NO.	7.03A9.001017-H	7.03A9.001018-I	7.03A9.001019-K	7.03A9.00101A-L	7.03A9.00101B-M	7.03A9.00101C-N	7.03A9.00101D-Z
颜色 COLOR	Violet/4003	Beige/1001	Curry/1027	Camine Red/3002	Pastel Orange/2003	Pastel Green/6019	Water Blue/5021

非防水 FAKRA 母头射频同轴线束或连接器 Non-Waterproof FAKRA(Female) Harness/Connector

商品系列号：**7.03A5**
Product Series Number



电气特性 Electrical Feature

额定电流 Rated Current: 1A
 额定电压 Rated Voltage: 60V DC
 耐电压 Withstanding Voltage: 500V
 绝缘阻抗 Insulation Resistance: 1000MΩ
 工作温度 Operation Temperature: -40℃~105℃
 驻波比VSWR: 0-3GHz 1.28Max;
 3-6GHz 1.58Max

材料 Material

外导体 Outer Conductor: Copper Alloy
 中心导体 Center Conductor: Copper Alloy
 绝缘体 Dielectric: Thermoplastic
 壳体 Plastic Housings: Thermoplastic
 线夹 Wire Clamp: Copper Alloy

机械特性 Mechanical feature

插拔次数 Mating cycles ≥ 25times
 插入力 Mating force ≤ 25N
 中心导体保持力 De-mating force ≥ 2N
 锁扣保持力 Retention force latch ≥ 110N

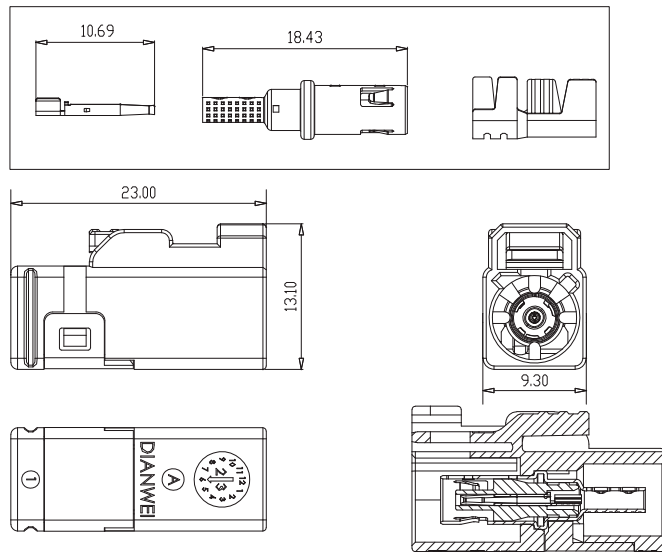
应用 Application

GPS, Radio, Digital terrestrial TV, Bluetooth, FM
 360全景 Surround view
 T-BOX
 雷达探测 Radar detection

参考标准 Reference Standard

ISO20860-1
 SAE/USCAR
 SAE/USCAR-17
 SAE/USCAR-18

装配后尺寸 Connector dimensions after Cable Assembly, Units: mm



适配线材 Suitable for: RG086, RG174, RG316

序号 NO.	1	2	3	4	5	6	7
类型 TYPE							
	A TYPE	B TYPE	C TYPE	D TYPE	E TYPE	F TYPE	G TYPE
订购料号 P/NO.	7.03A5.001010-A	7.03A5.001011-B	7.03A5.001012-C	7.03A5.001013-D	7.03A5.001014-E	7.03A5.001015-F	7.03A5.001016-G
颜色 COLOR	Black/9005	White/9001	Blue/5005	Bordeaux/4004	Green/6002	Brown/8011	Grey/7031
序号 NO.	8	9	10	11	12	13	14
类型 TYPE							
	H TYPE	I TYPE	K TYPE	L TYPE	M TYPE	N TYPE	Z TYPE
订购料号 P/NO.	7.03A5.001017-H	7.03A5.001018-I	7.03A5.001019-K	7.03A5.00101A-L	7.03A5.00101B-M	7.03A5.00101C-N	7.03A5.00101D-Z
颜色 COLOR	Violet/4003	Beige/1001	Curry/1027	Camine Red/3002	Pastel Orange/2003	Pastel Green/6019	Water Blue/5021

带固定扣防水FAKRA 母头射频同轴线束或连接器 Waterproof FAKRA (Female) Harness/Connector with Fastener

电气特性 Electrical Feature

额定电流 Rated Current: 1A
 额定电压 Rated Voltage: 60V DC
 耐电压 Withstanding Voltage: 500V
 绝缘阻抗 Insulation Resistance: 1000MΩ
 工作温度 Operation Temperature: -40℃~105℃
 驻波比VSWR: 0~3GHz 1.28Max;
 3~6GHz 1.58Max

材料 Material

外导体 Outer Conductor: Copper Alloy
 中心导体 Center Conductor: Copper Alloy
 绝缘体 Dielectric: Thermoplastic
 壳体 Plastic Housings: Thermoplastic
 线夹 Wire Clamp: Copper Alloy
 密封圈 Sealing Ring: Silicone Rubber
 封线体 Dense Body: Silicone Rubber
 尾盖 Tail Cap: Thermoplastic



机械特性 Mechanical feature

插拔次数 Mating cycles ≥ 25times
 插入力 Mating force ≤ 25N
 中心导体保持力 De-mating force ≥ 2N
 锁扣保持力 Retention force latch ≥ 110N
 防护等级 Protection grade: IP67

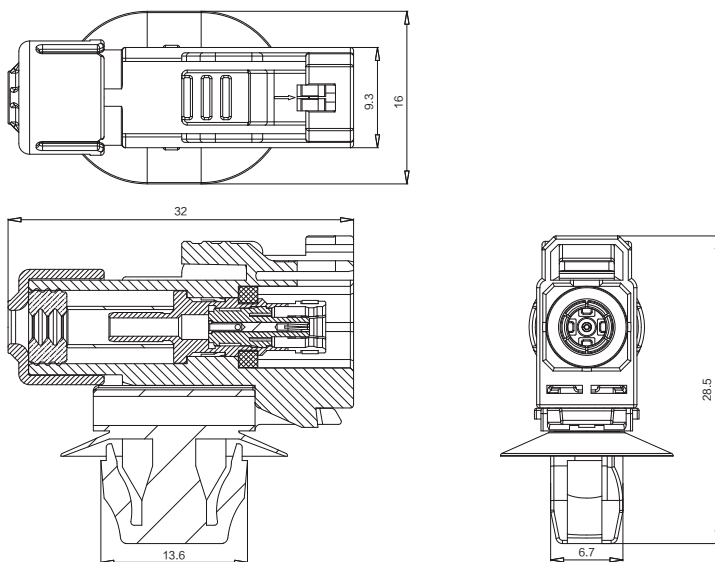
应用 Application

GPS, Radio, Digital terrestrial TV, Bluetooth, FM
 360全景 Surround view
 T-BOX
 雷达探测 Radar detection

参考标准 Reference Standard

ISO20860-1
 SAE/USCAR
 SAE/USCAR-17
 SAE/USCAR-18

装配后尺寸 Connector dimensions after Cable Assembly, Units: mm



适配线材 Suitable for: RG086, RG174, RG316

序号 NO.	1	2	3	4	5	6	7
类型 TYPE							
	A TYPE	B TYPE	C TYPE	D TYPE	E TYPE	F TYPE	G TYPE
订购料号 P/NO.	7.03AE.00120A	7.03AE.00120B	7.03AE.00120C	7.03AE.00120D	7.03AE.00120E	7.03AE.00120F	7.03AE.00120G
颜色 COLOR	Black/9005	White/9001	Blue/5005	Bordeaux/4004	Green/6002	Brown/8011	Grey/7031
序号 NO.	8	9	10	11	12	13	14
类型 TYPE							
	H TYPE	I TYPE	K TYPE	L TYPE	M TYPE	N TYPE	Z TYPE
订购料号 P/NO.	7.03AE.00120H	7.03AE.00120I	7.03AE.00120K	7.03AE.00120L	7.03AE.00120M	7.03AE.00120N	7.03AE.00120Z
颜色 COLOR	Violet/4003	Beige/1001	Curry/1027	Camine Red/3002	Pastel Orange/2003	Pastel Green/6019	Water Blue/5021

带固定扣非防水FAKRA 母头射频同轴线束或连接器

Non-Waterproof FAKRA (Female) Harness/Connector with Fastener

商品系列号：**7.03AF**
Product Series Number

电气特性 Electrical Feature

额定电流 Rated Current: 1A
 额定电压 Rated Voltage: 60V DC
 耐电压 Withstanding Voltage: 500V
 绝缘阻抗 Insulation Resistance: 1000MΩ
 工作温度 Operation Temperature: -40℃~105℃
 驻波比VSWR: 0~3GHz 1.28Max;
 3~6GHz 1.58Max

材料 Material

外导体 Outer Conductor: Copper Alloy
 中心导体 Center Conductor: Copper Alloy
 绝缘体 Dielectric: Thermoplastic
 壳体 Plastic Housings: Thermoplastic
 线夹 Wire Clamp: Copper Alloy



机械特性 Mechanical feature

插拔次数 Mating cycles ≥ 25times
 插入力 Mating force ≤ 25N
 中心导体保持力 De-mating force ≥ 2N
 锁扣保持力 Retention force latch ≥ 110N

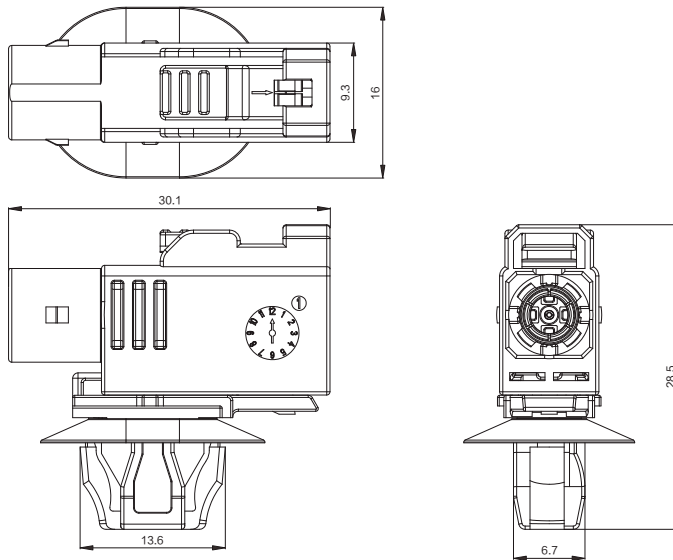
应用 Application

GPS, Radio, Digital terrestrial TV, Bluetooth, FM
 360全景 Surround view
 T-BOX
 雷达探测 Radar detection

参考标准 Reference Standard

ISO20860-1
 SAE/USCAR
 SAE/USCAR-17
 SAE/USCAR-18

装配后尺寸 Connector dimensions after Cable Assembly, Units: mm



适配线材 Suitable for: RG086, RG174, RG316

序号 NO.	1	2	3	4	5	6	7
类型 TYPE							
	A TYPE	B TYPE	C TYPE	D TYPE	E TYPE	F TYPE	G TYPE
订购料号 P/NO.	7.03AF.00120A	7.03AF.00120B	7.03AF.00120C	7.03AF.00120D	7.03AF.00120E	7.03AF.00120F	7.03AF.00120G
颜色 COLOR	Black/9005	White/9001	Blue/5005	Bordeaux/4004	Green/6002	Brown/8011	Grey/7031
序号 NO.	8	9	10	11	12	13	14
类型 TYPE							
	H TYPE	I TYPE	K TYPE	L TYPE	M TYPE	N TYPE	Z TYPE
订购料号 P/NO.	7.03AF.00120H	7.03AF.00120I	7.03AF.00120K	7.03AF.00120L	7.03AF.00120M	7.03AF.00120N	7.03AF.00120Z
颜色 COLOR	Violet/4003	Beige/1001	Curry/1027	Camine Red/3002	Pastel Orange/2003	Pastel Green/6019	Water Blue/5021

Type-C 16Pin单排SMT板上型连接器(L=7.35mm) Single Row, SMT, Type-C 16Pin Connector(L=7.35mm)

◎ 主要技术参数 Main technical parameters

使用温度 Operation Temperature: -40 ~ +85°C
 额定电压 Rating Voltage: 48V/AC 1 minute
 额定电流 Current Rating: 12A
 接触阻抗 Contact Resistance: 40mΩ Max
 绝缘阻抗 Insulation Resistance: 500M Min
 耐久 Durability: 10000 Times Min

◎ 材料 Material

胶芯 Insert Molding:
 The high temperature plastic UL 94V-0
 外壳 Shell: Steel Plating: Ni
 中夹片 The Middle Sheet: Steel
 端子 Terminal: Copper Alloy Plating: Au



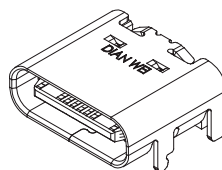
◎ 环保标准 Environmental protection standard:

符合欧盟 RoHS REACH 标准 Comply with the EU RoHS, REACH

Pin definition

Pin	Signal Name	Mating Sequence
A1	GND	First
/		
A4	Vbus	First
A5	CC1	Second
A6	Dp1	Second
A7	Dn1	Second
A8	SBU1	Second
A9	Vbus	First
/		
A12	GND	First
SHELL	GND	

Pin	Signal Name	Mating Sequence
B12	GND	First
/		
B9	Vbus	First
B8	SBU2	Second
B7	Dn2	Second
B6	Dp2	Second
B5	CC2	Second
B4	Vbus	First
/		
B1	GND	First
SHELL	GND	



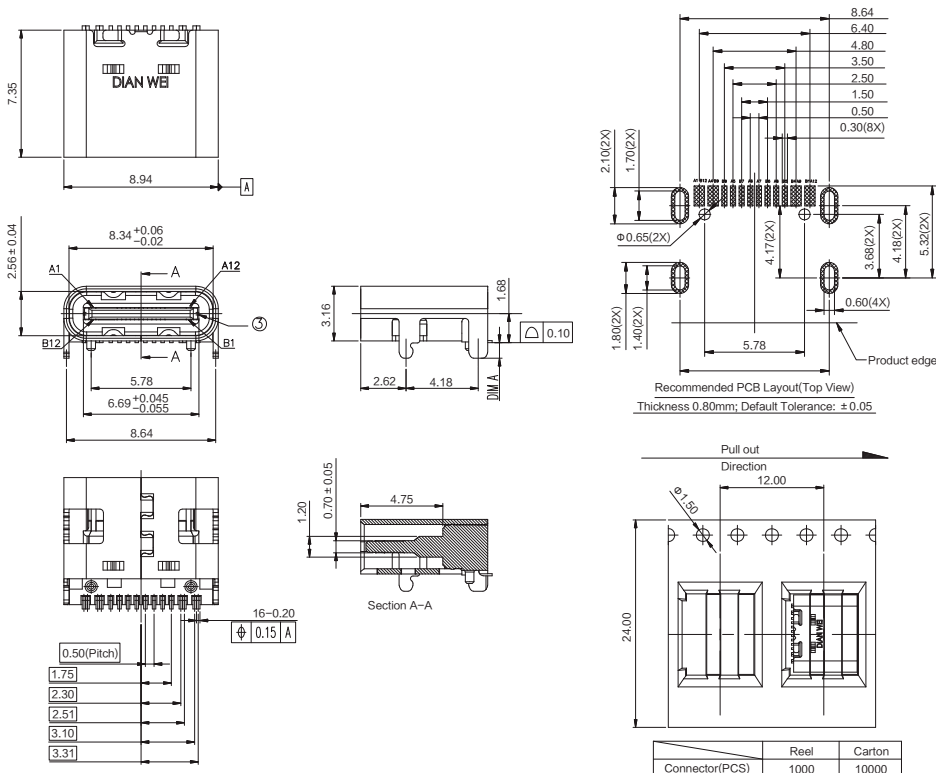
外壳不带弹片料号对照表

The shell does not carry shrapnel material number comparison table

DIM A :

①	0.90mm	P/N: 2.01A1.016200
②	1.10mm	P/N: 2.01A2.016200
③	1.30mm	P/N: 2.01A3.016200
④	1.70mm	P/N: 2.01A4.016200

Units: mm



Type-C 16Pin单排SMT板上型连接器(L=7.35mm) Single Row, SMT, Type-C 16Pin Connector(L=7.35mm)

商品系列号: **2.02A0**
Product Series Number

主要技术参数 Main technical parameters

使用温度 Operation Temperature: -40 ~ +85°C
额定电压 Rating Voltage: 48V/AC 1 minute
额定电流 Current Rating: 12A
接触阻抗 Contact Resistance: 40mΩ Max
绝缘阻抗 Insulation Resistance: 500M Min
耐久 Durability: 10000 Times Min

材料 Material

胶芯 Insert Molding: The high temperature plastic UL 94V-0
外壳 Shell: Steel Plating: Ni
中夹片 The Middle Sheet: Steel
端子 Terminal: Copper Alloy Plating: Au



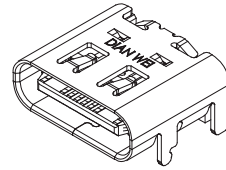
环保标准 Environmental protection standard:

符合欧盟 RoHS REACH 标准 Comply with the EU RoHS, REACH

Pin definition

Pin	Signal Name	Mating Sequence
A1	GND	First
/		
A4	Vbus	First
A5	CC1	Second
A6	Dp1	Second
A7	Dn1	Second
A8	SBU1	Second
A9	Vbus	First
/		
A12	GND	First
SHELL	GND	

Pin	Signal Name	Mating Sequence
B12	GND	First
/		
B9	Vbus	First
B8	SBU2	Second
B7	Dn2	Second
B6	Dp2	Second
B5	CC2	Second
B4	Vbus	First
/		
B1	GND	First
SHELL	GND	



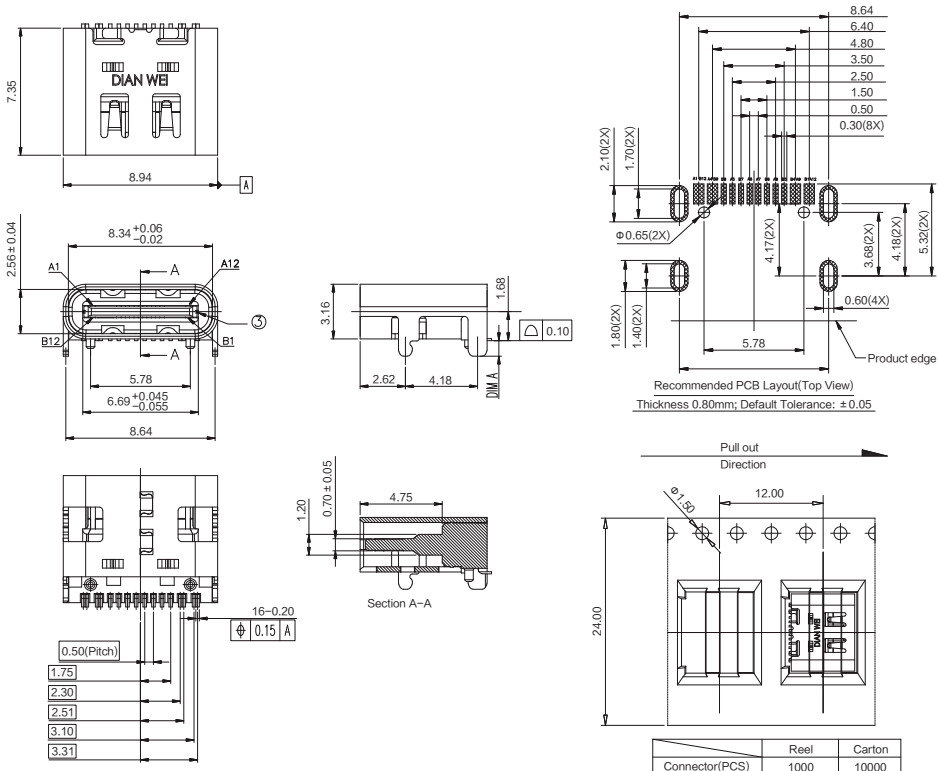
外壳带弹片料号对照表

The shell is equipped with shrapnel material number comparison table

DIM A:

①	0.90mm	P/N: 2.02A1.016200
②	1.10mm	P/N: 2.02A2.016200
③	1.30mm	P/N: 2.02A3.016200
④	1.70mm	P/N: 2.02A4.016200

Units: mm



◎ 主要技术参数 Main technical parameters

额定电流 Current Rating: 1A /Pin

接触阻抗 Contact Resistance: 50mΩ Max

耐久 Durability: 1500 Times Min

◎ 材料 Material

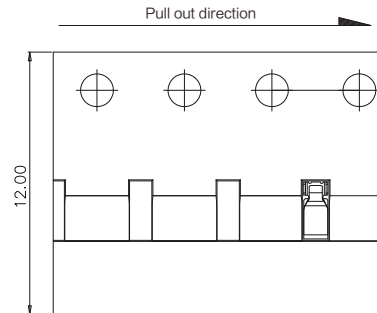
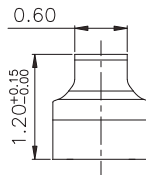
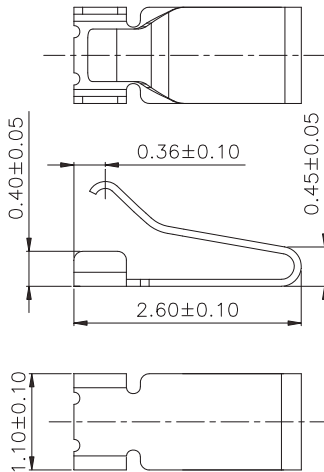
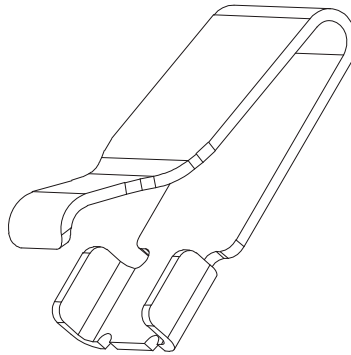
端子 Terminal: Steel Plating: Au



◎ 环保标准 Environmental protection standard:

符合欧盟 RoHS REACH 标准 Comply with the EU RoHS, REACH

Units: mm



Notes: Primary Packing: 8000PCS/REEL

1.0H 弹片端子

1.0H Spring Terminal

商品系列号：**9.02A0**
Product Series Number

◎ 主要技术参数 Main technical parameters

额定电流 Current Rating: 1A /Pin

接触阻抗 Contact Resistance: 50mΩ Max

耐久 Durability: 1500 Times Min

◎ 材料 Material

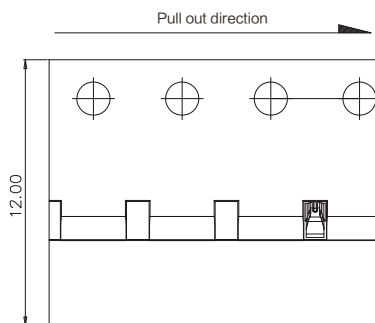
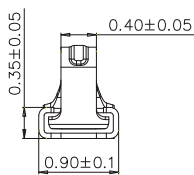
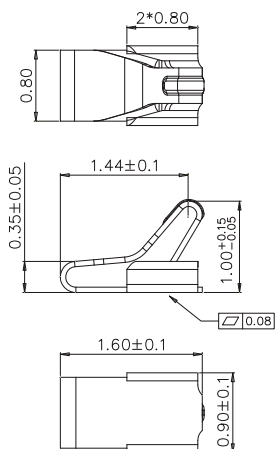
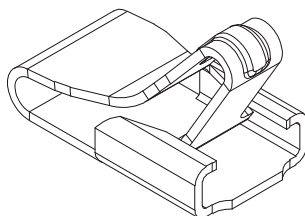
端子 Terminal: Steel Plating: Au

◎ 环保标准 Environmental protection standard:

符合欧盟 RoHS REACH 标准 Comply with the EU RoHS, REACH



Units: mm



Notes: Primary Packing: 10000PCS/REEL

连接未来 连接智能世界

Connecting the Future, Connecting the Intelligent World

※ 本目录产品可能会更新，选用前请与钿威销售人员联系。

The products in this catalogue may update, please contact sales for checking.



东莞市钿威电子科技有限公司

Dongguan Dianwei Electronic Technology Co.,Ltd

中国广东省东莞市塘厦镇沙湖大岭边路22号

No.22, Dalingbian Road, Shahu Community, Tangxia Town, Dongguan, China. 523725

+86 - 769-87888322 www.dianwei.cn sales@dianwei.cn kangqinkui@dianwei.cn